

Backshells

MIL-SPEC AND COMMERCIAL APPLICATIONS



Series:

- Micro-D (MIL-DTL-M83513)
- R27 (MIL-DTL-83527/EN 3682)
- ARINC 600
- ARINC 404 (MIL-C-81659)
- R39 (Rectangular 38999)
- R58 (MIL-DTL-83733)
- MMA (Multi Modular ARINC)



Backshells

Amphenol CANADA
MILITARY & AEROSPACE

Amphenol CANADA

MILITARY & AEROSPACE

For more than 50 years, Amphenol Canada Corp. a subsidiary of Amphenol Corporation has been an international leader in the manufacture of Rectangular I/O and EMI Filtered Connectors.

We design, manufacture and test EMI / EMP filter and non-filter connectors, which are used worldwide in military, aerospace, and commercial applications. As part of Amphenol Corporation, we have the advantage of access to technologies and processes of Amphenol's worldwide facilities. Our expertise in understanding and supporting our customers' interconnect needs has earned us a reputation of excellence among the world's leading users of electronic components.



CUSTOMER SERVICE

At Amphenol Canada, customer service is a solid commitment from all our employees. Our product managers, application engineers, product specialists, and sales representatives are able to answer your questions and assist you in choosing the right connectors for your applications.

Using Amphenol's on-line computer system, we are able to promptly update you on your order status, provide you with price and delivery quotations, and address any problems or questions you might have.

Whether you need standard or custom designed connectors, our marketing department is your liaison with Amphenol Canada's engineering, quality and manufacturing experts.

QUALITY & RELIABILITY

Certified to ISO 9001:2000 + AS9100B

Amphenol Canada's broad base of customers and the high levels of technology in which they are involved make it essential that Amphenol's own products are of the highest quality and reliability.

Please contact us for RoHS requirements.

For more than 50 years, Amphenol Canada Corp., a subsidiary of Amphenol Corporation, has been an international leader in the manufacture of rectangular and filtered connectors.

We design, manufacture and test EMI / EMP filter and non-filter connectors, which are used worldwide in military, aerospace, and commercial applications. As part of Amphenol Corporation, we have the advantage of access to technologies and processes of Amphenol's worldwide facilities. Our expertise in understanding and supporting our customers' interconnect needs has earned us a reputation of excellence among the world's leading users of electronic components.



CUSTOMER SERVICE

At Amphenol Canada, customer service is a solid commitment from all our employees. Our product managers, application engineers, product specialists, and sales representatives are able to answer your questions and assist you in choosing the right connectors for your applications.

Using Amphenol's on-line computer system, we are able to promptly update you on your order status, provide you with price and delivery quotations, and address any problems or questions you might have. Whether you need standard or custom designed connectors, our marketing department is your liaison with Amphenol Canada's engineering, quality and manufacturing experts.

QUALITY & RELIABILITY

Certified to AS9100D and ISO 9001:2015

Amphenol Canada's broad base of customers and the high levels of technology in which they are involved make it essential that Amphenol's own products are of the highest quality and reliability.

Please contact us for RoHS requirements.

ENGINEERING

Amphenol Canada provides innovative designs to help our customers solve a variety of EMI / EMP and/or allowable space problems.

The engineering department is fully equipped with 3-D CAD modeling, state-of-the-art electrical test equipment and environmental test chambers; enabling ongoing research and development that contributes to our design solutions of tomorrow.

MANUFACTURING CAPABILITIES

- CNC machining of connector shells and hardware
- Screw machining of contacts
- Stamping (including progressive dies) of shells, contacts and ground plates
- Plating with electroless nickel, cadmium, OD cadmium and other special plating
- Injection molding of thermoset, thermoplastic and rubber
- Tool room equipped to manufacture and maintain tools, dies and moulds
- Final assembly shop equipped with special purpose assembly machinery, equipment and tools, and electrical test equipment
- Model shop for design concept evaluation and prototyping
- Quick reaction facility for speedy manufacturing of pre-production quantities



TABLE OF CONTENTS

About amphenol Canada	1
------------------------------------	---



MICRO-D EMI BACKSHELLS: SUITABLE FOR MIL-DTL-M83513 CONNECTORS

Intro.....	5
Body Styles.....	6
How to Order.....	7
Elliptical Exit Port Straight.....	8
Circular Exit Port Straight.....	9
Circular Exit Port Right Angle.....	10
Elliptical Exit Port Right Angle.....	11
Circular Exit Port 45°.....	12



R27 BACKSHELLS: SUITABLE FOR MIL-DTL-83527/EN 3682 CONNECTOR

Intro.....	13
Body Styles.....	14
How to Order.....	15
Single Bay Straight Exit Port Signal Cavity.....	16
Single Bay Straight Exit Port Power Cavity.....	17
Single Bay Right Angle Exit Port Signal Cavity.....	18
Single Bay Right Angle Exit Port Power Cavity.....	19
Straight Exit Port-Size 2.....	20
Straight Exit Port-Size 3.....	21
Straight Exit Port-Size 4.....	22
Straight Exit Port-Size 6.....	23



ARINC 600 BACKSHELLS: SUITABLE FOR ARINC 600 CONNECTORS

Intro.....	24
Body Style.....	25
How to Order.....	26
Elliptical Exit Port-Size 1.....	27
Circular Exit Port-Size 2.....	28
Elliptical Exit Port-Size 2.....	29
Circular Exit Port-Size 3.....	30
Elliptical Exit Port-Size 3.....	31



ARINC 404 BACKSHELLS: SUITABLE FOR ARINC 404 SPEC & MIL-C81659 CONNECTORS

Intro.....	32
Body Style.....	33
How to Order.....	34
Size A-Circular Exit Port Non-Polarized Shell.....	35
Size 1-Circular Exit Port Polarized Shell.....	36
Size 1-Oval Exit Port.....	37
Size 2-Circular Exit Port.....	38



R39 BACKSHELLS: SUITABLE FOR RECTANGULAR 38999 CONNECTOR

Intro.....	39
How to Order.....	40
Strain Relief, Saddle Clamp.....	41
Threaded Adapter.....	42



R58 BACKSHELLS: SUITABLE FOR MIL-DTL-83733 CONNECTORS

Intro.....	43
Body Style.....	44
How to Order.....	45
Straight Exit Port Size A.....	46
Right Angle Exit Port Size A.....	47
Straight Exit Port Size B.....	48
Right Angle Exit Port Size B.....	49
Threaded Adapter.....	50



MMA BACKSHELLS: SUITABLE FOR MULTI-MODULAR ARINC CONNECTORS

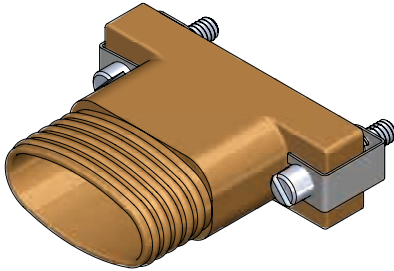
Intro.....	51
How to Order.....	52
Dual Use-4-Strain Relief, Size 5 Strain Relief, Receptacle-Size 5.....	53
Plug-Size 5 Strain Relief, Plug-Dual Ports-Size 3.....	54
Plug-Size 5-Saddle Clamp, Plug-Size 5-Strain Relief, Single Port.....	55



MICRO-D EMI BACKSHELLS

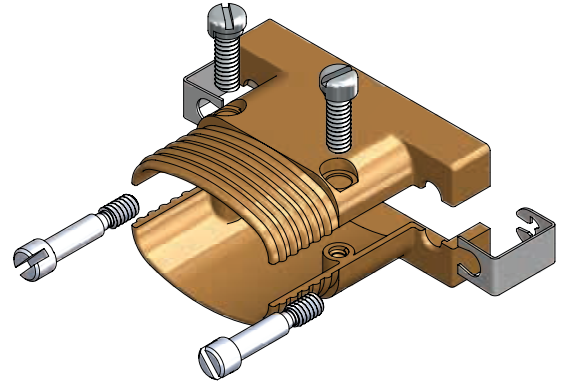
Body Styles

Micro-D Backshells



ONE-PIECE

- One solid piece structure
- Designed for use with M83513 connectors.
- It is a reliable means of providing EMI and strain relief for harnessed connectors.
- Available for sizes 9 thru 100.
- Accessible in straight, 45° or 90° configurations
- Round or elliptical exit port
- Backshells are machined from aluminum alloy and offered with various plating options.
- Hardware: Passivated stainless steel



SPLIT

- Two Piece structure
- Dimensionally identical to one piece body style
- Designed for use with M83513 connectors
- Provides access to connector and wires
- It is a reliable means of providing EMI and strain relief for harnessed connectors.
- Available for sizes 9 thru 100.
- Accessible in straight, 45° or 90° configurations
- Round or elliptical exit port
- Backshells are machined from aluminum alloy and offered with various plating options.
- Hardware: Passivated stainless steel

PERFORMANCE INFORMATION

- Magnetic permeability (MIL-I-17214): less than 2 mu
- Shielding efficiency: to 1 GHz, 60 db to > 100 db
- Vibration (per MIL-STD-1344 Method 2004, condition C): no damage or discontinuity between shell and shield

How To Order

1.	2.	3.	4.	5.	6.	7.	8.	9.
RoHS Compliance	Backshell Series	Connector Size	Shell Finish	Exit Shape	Cable Exit Size	Exit Angle	Hardware	Split Option
	MBS-	09	N-	C	A	00	M5-	2

1. RoHS Compliance	
E	RoHS Compliant
	Blank for Non-RoHS

2. Backshell Series	
MBS-	Micro-D

3. Connector Size (Number of contacts)	
	09
	15
	21
	25
	31
	37
	51
	69
	100

4. Shell Finish	
A-	Black Anodized
B-	Zinc Nickel (Black Chromate)
C-	Cadmium (Yellow Chromate)
D-	Olive Drab Cadmium
F-	Chem Film
G-	Gold
K-	Zinc Nickel - 48 Hrs
L-	Pure Electro-Deposited Aluminum
N-	Electroless Nickel
T-	Nickel Teflon

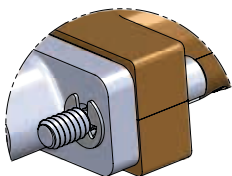
5. Exit Shape	
C	Circular Cable Exit
E	Elliptical Cable Exit

6. Cable Exit Size	
A	
B	
C	
D	
E	
F	
G	
H	
J	

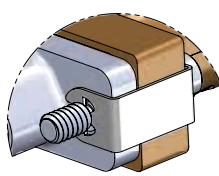
7. Exit Angle	
00	Straight Exit
90	90° Vertical Exit
45	45° Horizontal Exit

8. Hardware	
M2-	Low Profile Allen (HEX) Head Jackscrew
M5-	Low Profile Slot Head Jackscrew
M6-	High Profile Slot Head Jackscrew
C2-	Low Profile Allen (Hex) Jackscrew with C-Clip
C5-	Low Profile Slot Head jackscrew with C-Clip
C6-	High Profile Slot Head Jackscrew with C-Clip
P-	Jackpost

9. Split Option	
	Omit for One Piece Construction
2	Split-2 Pieces

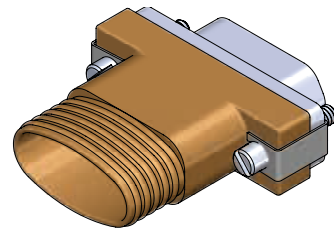


View shown for E-CLIP

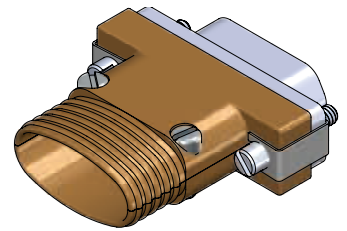


View shown for C-CLIP

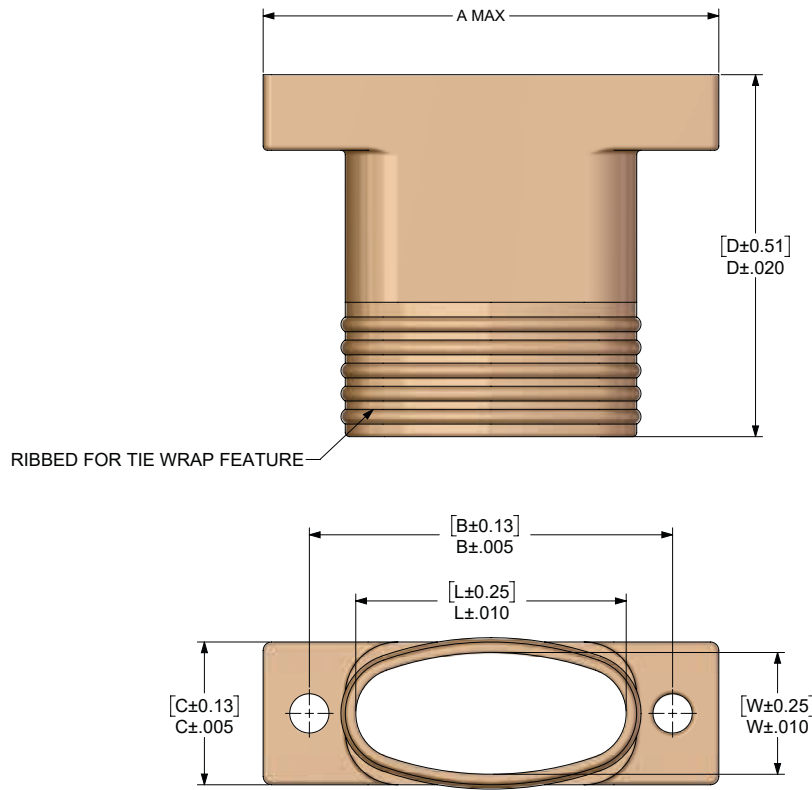
Elliptical Exit Port Straight



ONE PIECE



SPLIT



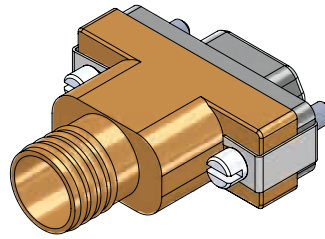
- Split backshell is dimensionally identical to one piece style
- Connector shown for reference only (order separately)

Dimensions are in inches (mm)

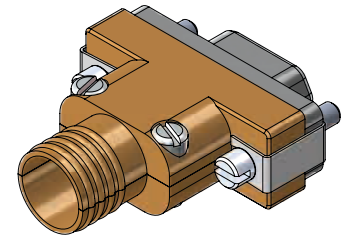
CABLE EXIT SIZE	W ±.010 (0.25)	L .010 (0.25)	AVAILABLE ON SIZE
A	.284 (7.21)	.344 (8.74)	09 THRU 100
B		.494 (12.55)	15 THRU 100
C		.644 (16.36)	21 THRU 100
D		.744 (18.90)	25 THRU 100
E		.894 (22.71)	31 THRU 100
F		.994 (25.25)	37 THRU 100
G		1.040 (26.42)	37, 69 & 100
J	.320 (8.13)	1.250 (31.75)	69 THRU 100
H	.384 (9.75)	1.520 (38.61)	100 ONLY

SHELL SIZE	A MAX	B ±.005 (0.13)	C ±.005 (0.13)	D ±.020 (0.51)
09	.785 (19.94)	.565 (14.35)	.340 (8.64)	.762 (19.35)
15	.935 (23.75)	.715 (18.16)		.812 (20.62)
21	1.085 (27.56)	.865 (21.97)		.862 (21.89)
25	1.185 (30.10)	.965 (24.51)		.912 (23.16)
31	1.335 (33.91)	1.115 (28.32)		.952 (24.18)
37	1.485 (37.72)	1.265 (32.13)		.992 (25.20)
51	1.435 (36.45)	1.215 (30.86)		.400 (10.16)
69	1.735 (44.07)	1.515 (38.48)	1.102 (27.99)	
100	2.175 (55.25)	1.800 (45.72)	.450 (11.43)	

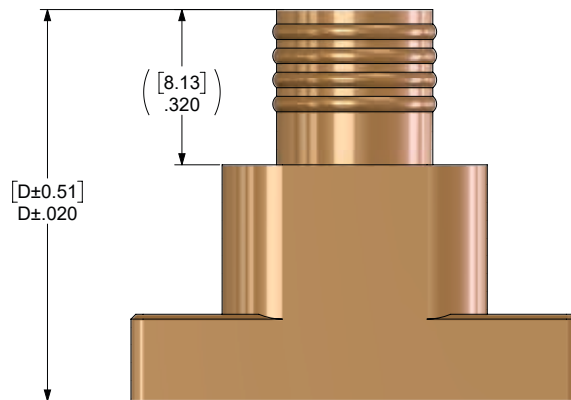
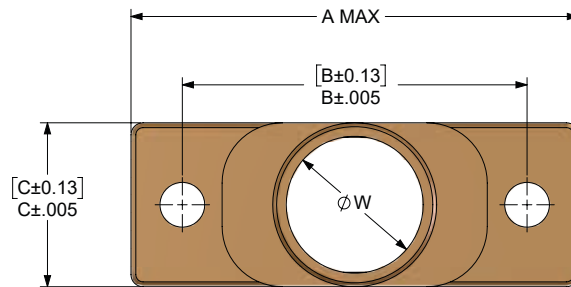
Circular Exit Port Straight



ONE PIECE



SPLIT



- Split backshell is dimensionally identical to one piece style
- Connector shown for reference only (order separately)

Dimensions are in inches (mm)

CABLE EXIT SIZE	W	AVAILABLE ON SIZE
A	.284 (7.21)	09 THRU 100
B	.344 (8.74)	51 AND 100
C	.384 (9.75)	100 ONLY

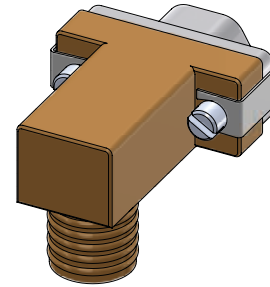
SHELL SIZE	A MAX	± B ±.005 (0.13)	C ±.005 (0.13)	D ±.020 (0.51)	
09	.785 (19.94)	.565 (14.35)	.340 (8.64)	.762 (19.35)	
15	.935 (23.75)	.715 (18.16)		.812 (20.62)	
21	1.085 (27.56)	.865 (21.97)		.862 (21.89)	
25	1.185 (30.10)	.965 (24.51)		.912 (23.16)	
31	1.335 (33.91)	1.115 (28.32)		.952 (24.18)	
37	1.485 (37.72)	1.265 (32.13)		.992 (25.20)	
51	1.435 (36.45)	1.215 (30.86)		.400 (10.16)	1.072 (27.32)
69	1.735 (44.07)	1.515 (38.48)	1.102 (27.99)		
100	2.175 (55.25)	1.800 (45.72)	.450 (11.43)		1.137 (28.88)

MICRO-D EMI BACKSHELLS

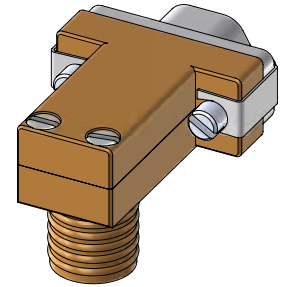
SUITABLE FOR M83513 CONNECTORS

Micro-D Backshells

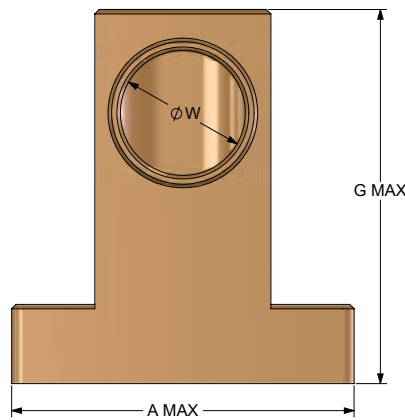
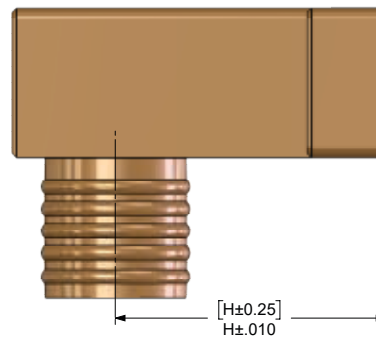
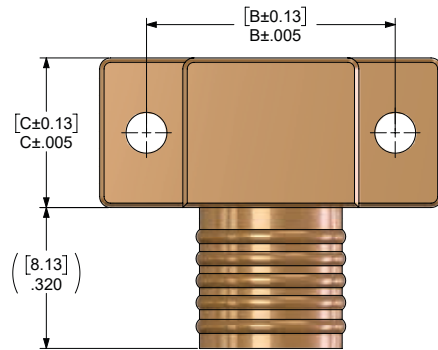
Circular Exit Port Right Angle



ONE PIECE



SPLIT

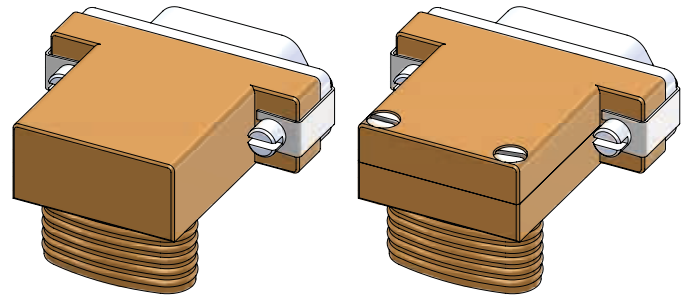


- Split backshell is dimensionally identical to one piece style
- Connector shown for reference only (order separately)

Dimensions are in inches (mm)

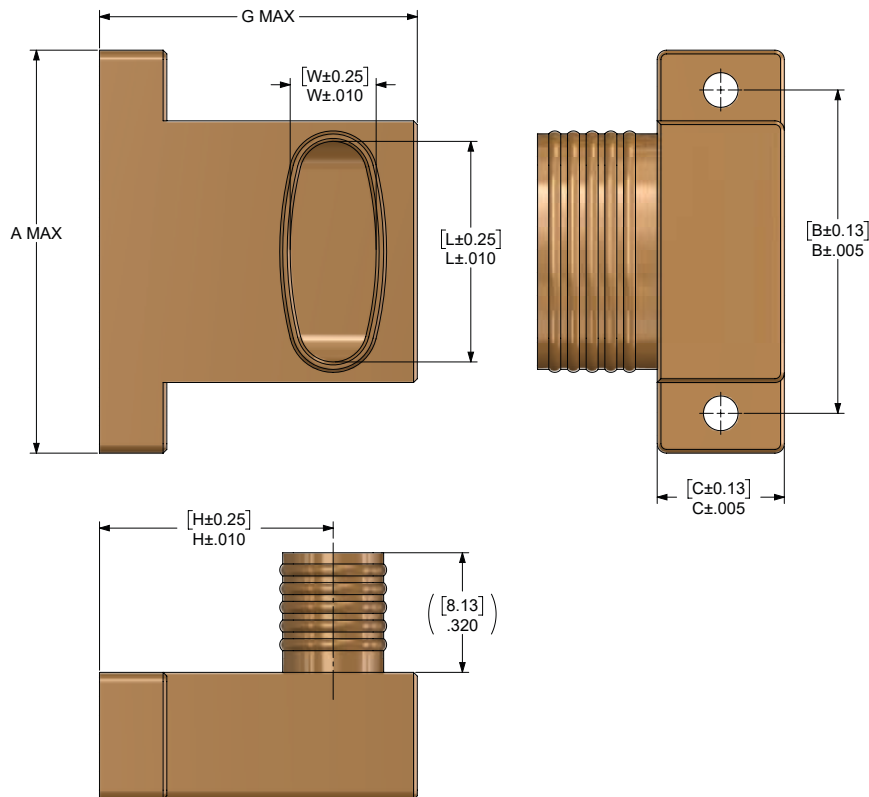
CABLE EXIT SIZE	W ± 0.010 (0.25)	AVAILABLE ON SIZE	SHELL SIZE	A MAX	B ± 0.005 (0.13)	C ± 0.005 (0.13)	G MAX	H ± 0.010 (0.25)
A	.284 (7.21)	09 THRU 100	09	.785 (19.94)	.565 (14.35)	.340 (8.64)	.865 (21.97)	.625 (15.88)
B	.344 (8.74)	51 THRU 100	15	.935 (23.75)	.715 (18.16)			
C	.384 (9.75)	100 ONLY	21	1.085 (27.56)	.865 (21.97)			
			25	1.185 (30.10)	.965 (24.51)			
			31	1.335 (33.91)	1.115 (28.32)			
			37	1.485 (37.72)	1.265 (32.13)	.400 (10.16)	.865 (21.97)	.625 (15.88)
			51	1.435 (36.45)	1.215 (30.86)			
			69	1.735 (44.07)	1.515 (38.48)			
			100	2.175 (55.25)	1.800 (45.72)			

Elliptical Exit Port Right Angle



ONE PIECE

SPLIT



- Split backshell is dimensionally identical to one piece style
- Connector shown for reference only (order separately)

Dimensions are in inches (mm)

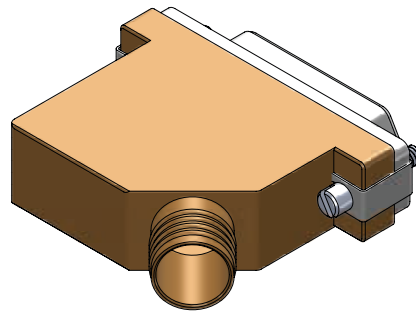
CABLE EXIT SIZE	W ±.010 (0.25)	L .010 (0.25)	AVAILABLE ON SIZE	SHELL SIZE	A MAX	B ±.005 (0.13)	C ±.005 (0.13)	G MAX	H ±.010 (0.25)		
A	.284 (7.21)	.344 (8.74)	09 THRU 100	09	.785 (19.94)	.565 (14.35)	.340 (8.64)	.865 (21.97)	.625 (15.88)		
B		.494 (12.55)	15 THRU 100	15	.935 (23.75)	.715 (18.16)					
C		.644 (16.36)	21 THRU 100	21	1.085 (27.56)	.865 (21.97)					
D		.744 (18.90)	25 THRU 100	25	1.185 (30.10)	.965 (24.51)					
E		.894 (22.71)	31 THRU 100	31	1.335 (33.91)	1.115 (28.32)					
F		.994 (25.25)	37 THRU 100	37	1.485 (37.72)	1.265 (32.13)					
G	.384 (9.75)	1.040 (26.42)	37, 69 & 100	51	1.435 (36.45)	1.215 (30.86)	.400 (10.16)	.865 (21.97)	.625 (15.88)		
H		1.520 (38.61)	100 ONLY	69	1.735 (44.07)	1.515 (38.48)				.925 (23.50)	.645 (16.38)
				100	2.175 (55.25)	1.800 (45.72)				.450 (11.43)	.960 (24.39)

MICRO-D EMI BACKSHELLS

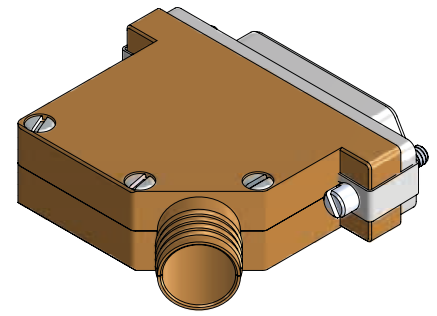
SUITABLE FOR M83513 CONNECTORS

Circular Exit Port 45°

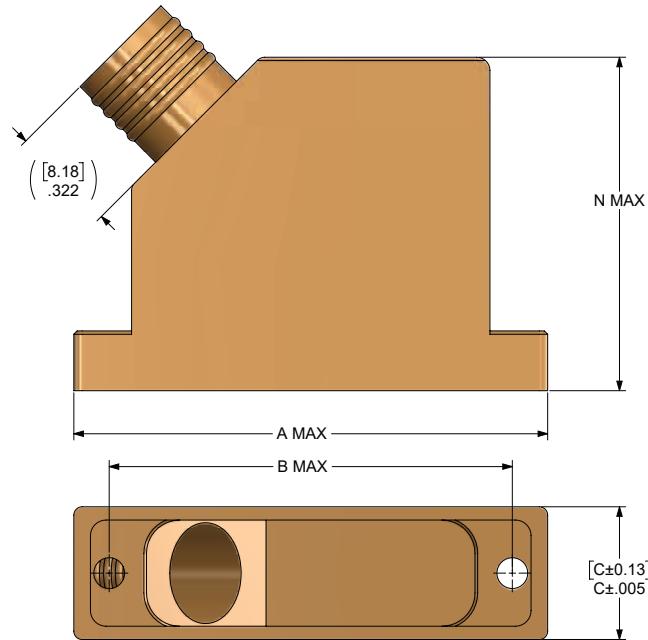
Micro-D Backshells



ONE PIECE



SPLIT

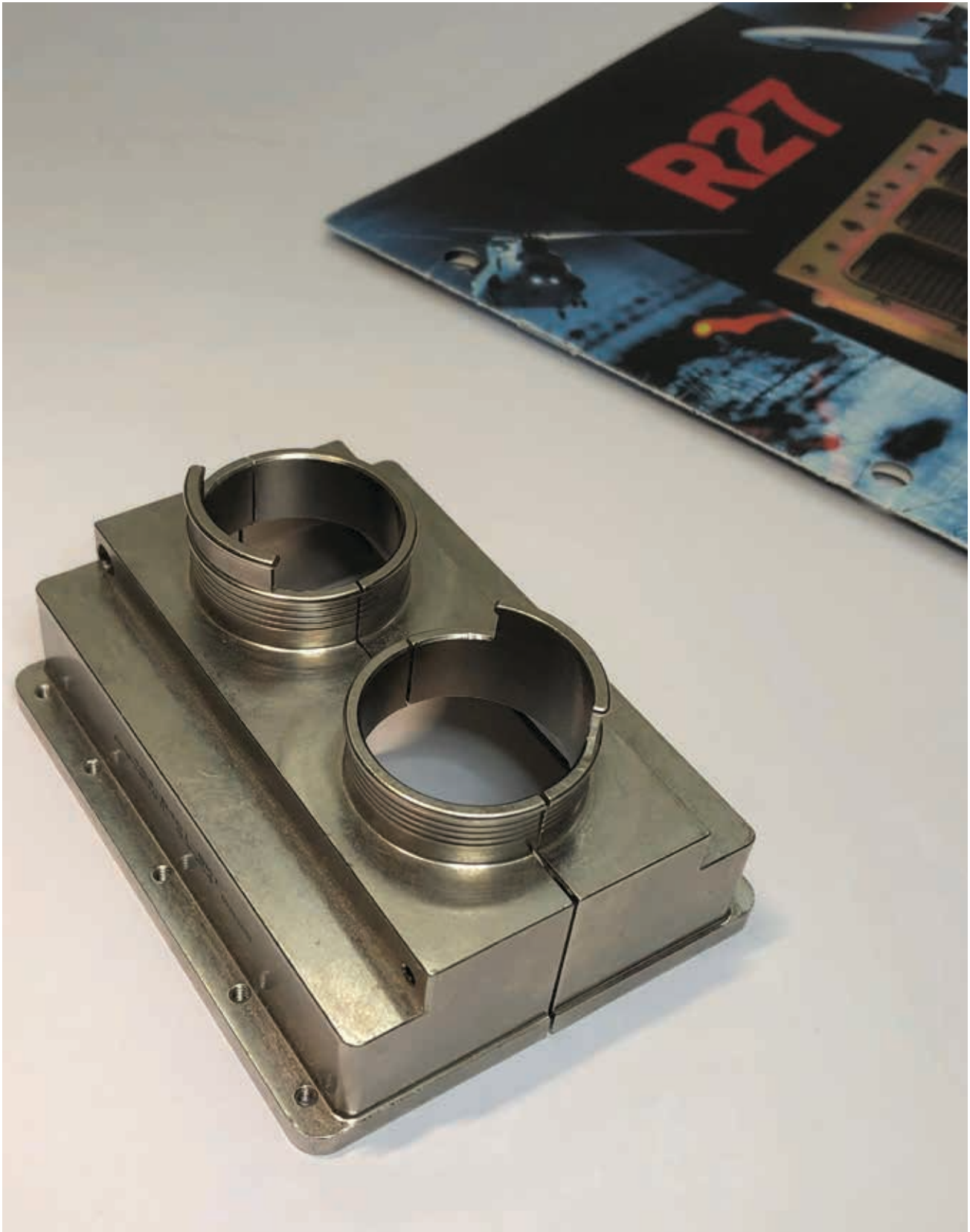


- Split backshell is dimensionally identical to one piece style
- Connector shown for reference only (order separately)

Dimensions are in inches (mm)

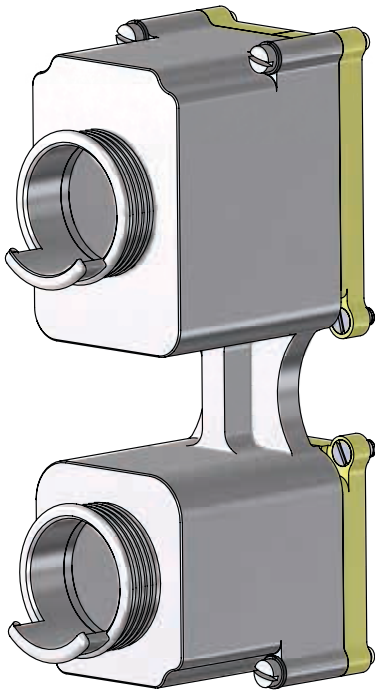
CABLE EXIT SIZE	W ±.010 (0.25)	AVAILABLE ON SIZE
A	.284 (7.21)	09 THRU 100
B	.344 (8.74)	51 THRU 100
C	.384 (9.75)	100 ONLY

SHELL SIZE	A MAX	B ±.005 (0.13)	C ±.005 (0.13)	N MAX	
09	.785 (19.94)	.565 (14.35)	.340 (8.64)	.865 (21.97)	
15	.935 (23.75)	.715 (18.16)			
21	1.085 (27.56)	.865 (21.97)			
25	1.185 (30.10)	.965 (24.51)			
31	1.335 (33.91)	1.115 (28.32)			
37	1.485 (37.72)	1.265 (32.13)	.400 (10.16)	.865 (21.97)	
51	1.435 (36.45)	1.215 (30.86)			
69	1.735 (44.07)	1.515 (38.48)			.925 (23.50)
100	2.175 (55.25)	1.800 (45.72)			.960 (24.39)



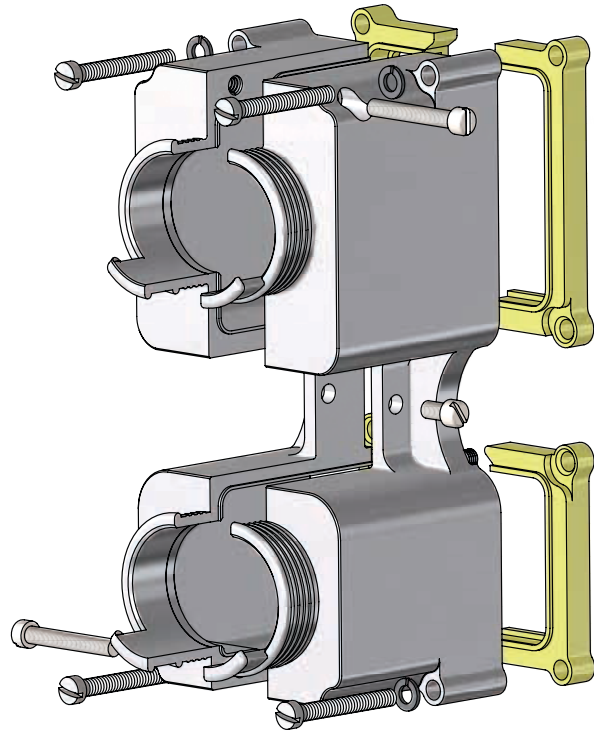
Body Styles

R27 Backshells



ONE-PIECE

- One solid piece structure
- Provides strain relief and EMI shielding
- Available in straight and right angle exit port
- Dual use for plug and receptacle
- Backshells are machined from aluminum alloy and offered with various plating options
- Hardware: Passivated stainless steel
- Custom configurations available



SPLIT

- Two piece structure
- Provides strain relief and EMI shielding
- Dimensionally identical to one piece body style
- Available in straight and right angle exit port
- Dual use for plug and receptacle
- Backshells are machined from aluminum alloy and offered with various plating options.
- Hardware: Passivated stainless steel
- Custom configurations available

How To Order

1.	2.	3.	4.	5.	6.	7.	8.
RoHS Compliance	Connector Series	Backshell	Shell Size	Backshell Style	Exit Port	Plating	Deviation Code
	R27	B-	P	A	1	2-	000

1. RoHS Compliance	
E	RoHS Compliant
	Blank for Non-RoHS

2. Connector Series	
R27	Connector Series

3. Backshell	
B-	Backshell

4. Shell Size	
P	Single Cavity-Power
S	Single Cavity-Signal
2	Size 2
3	Size 3
4	Size 4
6	Size 6
K	Kit (One Power + One Signal)

5. Backshell Style	
A	Split Saddle Clamp (For Size 1 & 2 Only, Except Right Angle Exit Ports)
B	Split EMI Strain Relief (For Size 1 & 2 Only, Except Right Angle Exit Port)
D	Threaded Adapter
E	One Piece EMI Strain Relief
F	One Piece Saddle Clamp

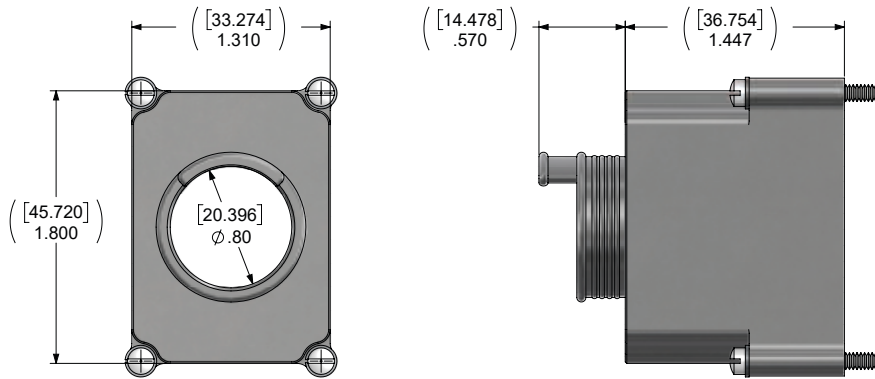
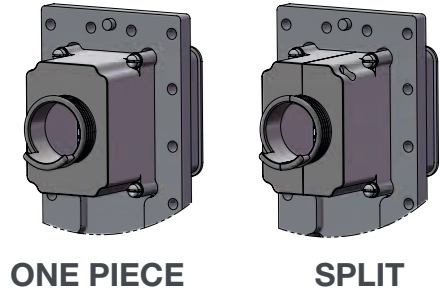
6. Exit Port	
1	Straight
2	Right Angle-Side Exit Port (Single Cavity Only)
3	Right Angle-Top Exit Port (Single Cavity Only)

7. Plating	
1-	Electroless Nickel
2-	Olive Drab Cadmium
5-	Zinc Nickel
6-	Yellow Chromate over Cadmium

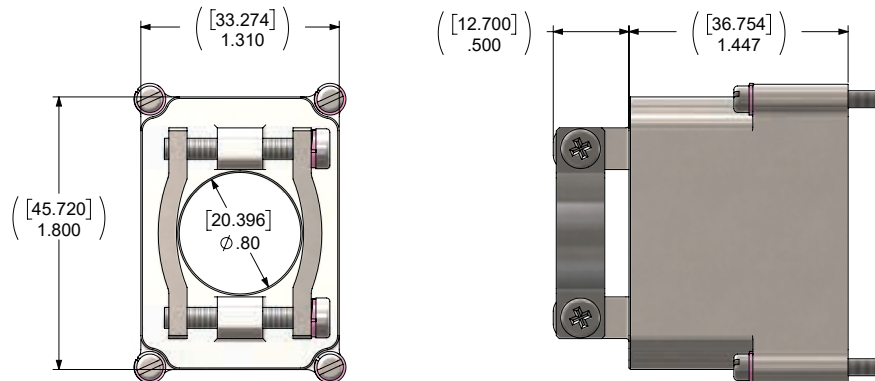
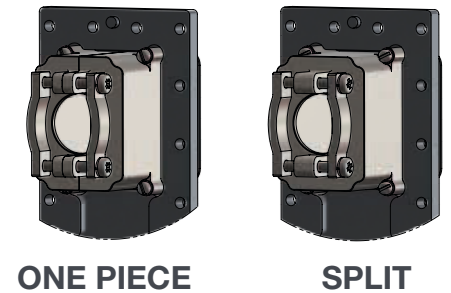
8. Deviation Code	
000	Standard

Single Bay Straight Exit Port Signal Cavity

EMI STRAIN RELIEF



SADDLE CLAMP

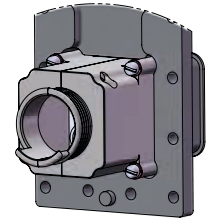
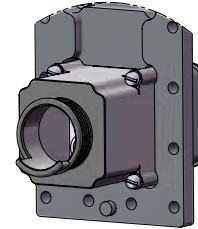


- Split backshell is dimensionally identical to one piece style
- Connector shown for reference only (order separately)
- Dimensions are in inches (mm)

R27 Backshells

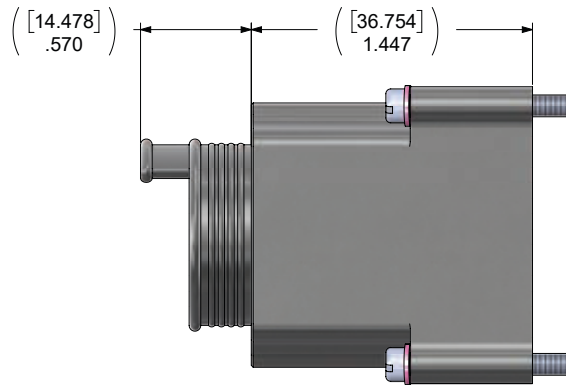
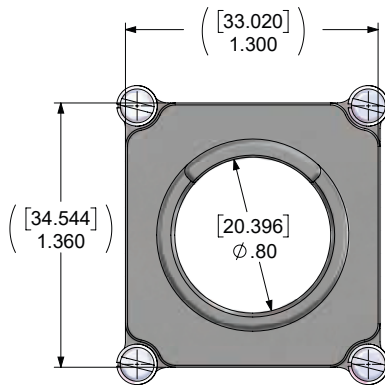
Single Bay Straight Exit Port Power Cavity

EMI STRAIN RELIEF

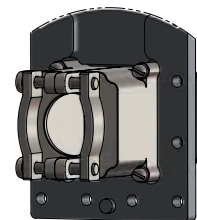
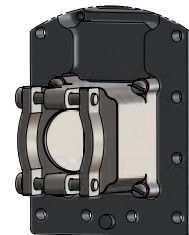


ONE PIECE

SPLIT

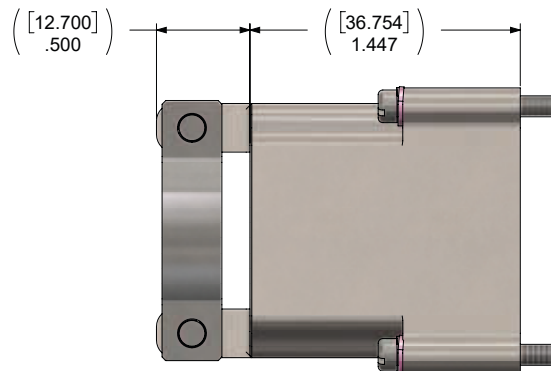
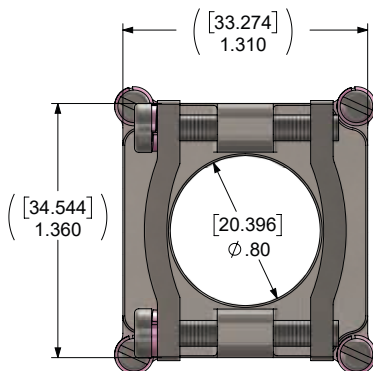


SADDLE CLAMP



ONE PIECE

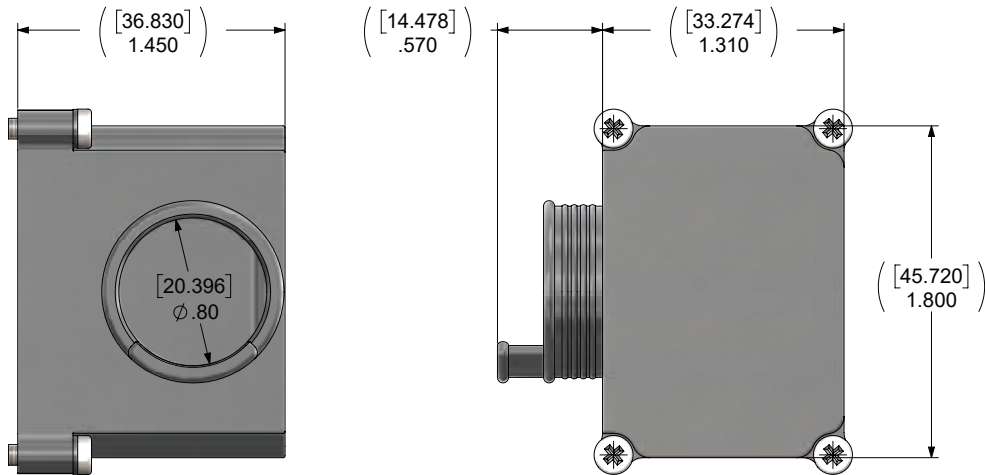
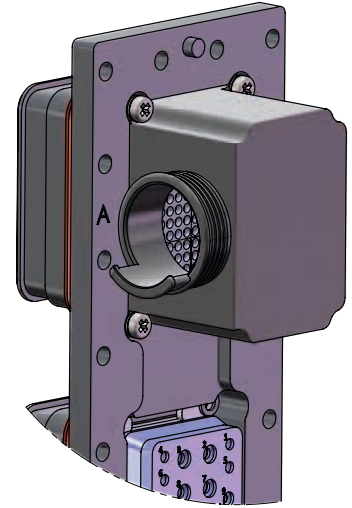
SPLIT



- Split backshell is dimensionally identical to one piece style
- Connector shown for reference only (order separately)
- Dimensions are in inches (mm)

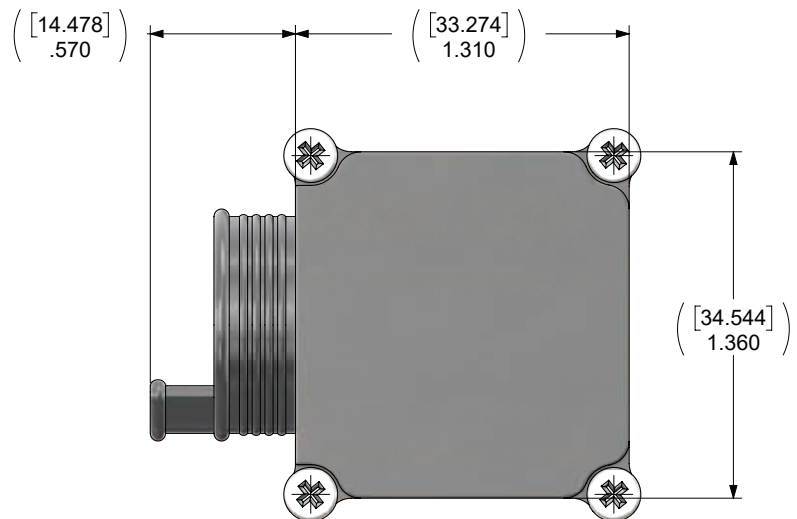
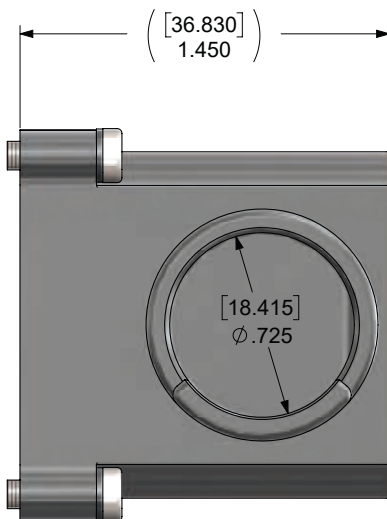
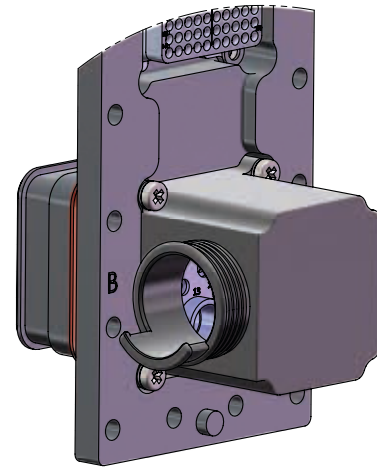
Single Bay Right Angle Exit Port Signal Cavity

R27 Backshells



- Not available in split and saddle clamp options
- Connector shown for reference only (order separately)
- Dimensions are in inches (mm)

Single Bay Right Angle Exit Port Power Cavity

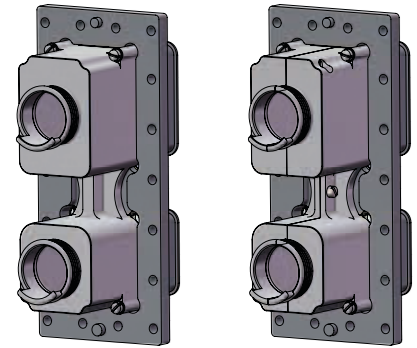
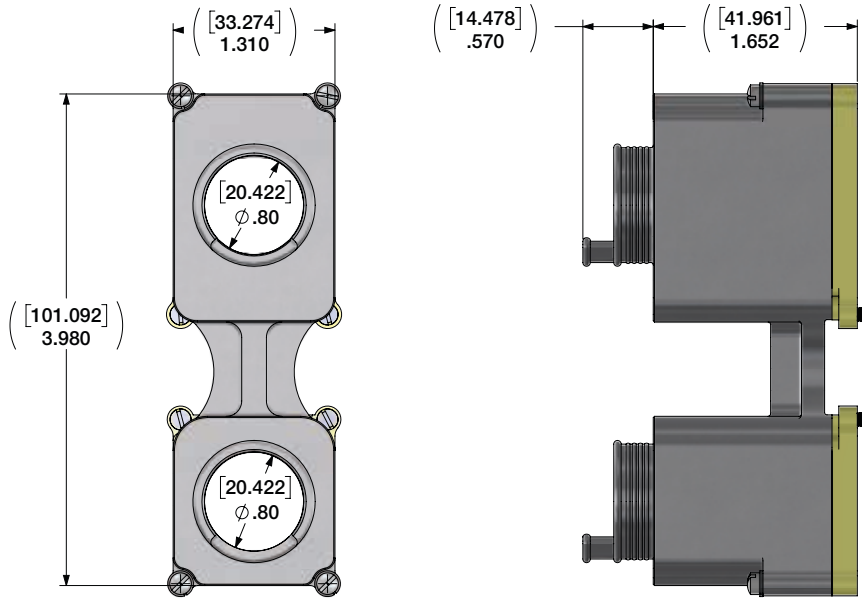


- Not available in split and saddle clamp options
- Connector shown for reference only (order separately)
- Dimensions are in inches (mm)

Straight Exit Port - Size 2

EMI STRAIN RELIEF

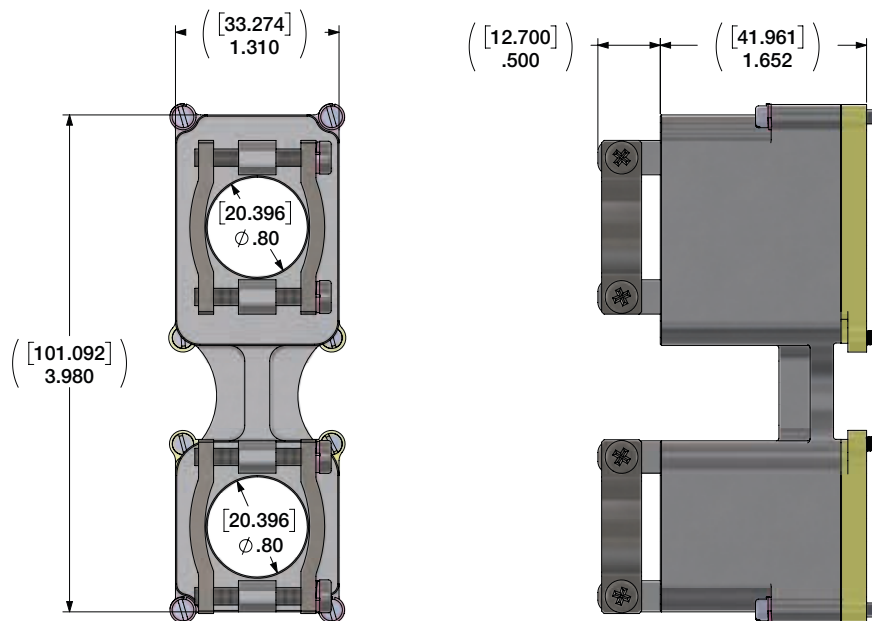
R27 Backshells



ONE PIECE

SPLIT

SADDLE CLAMP



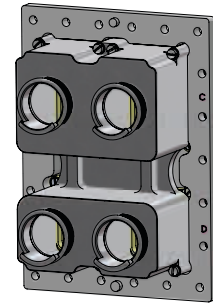
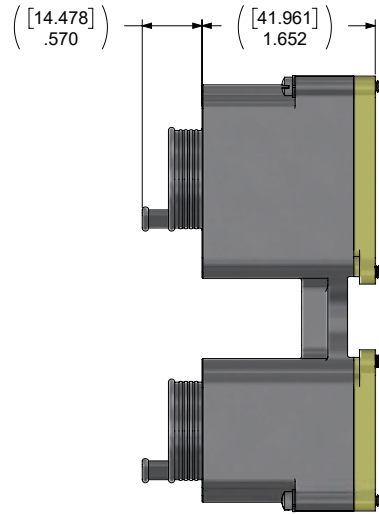
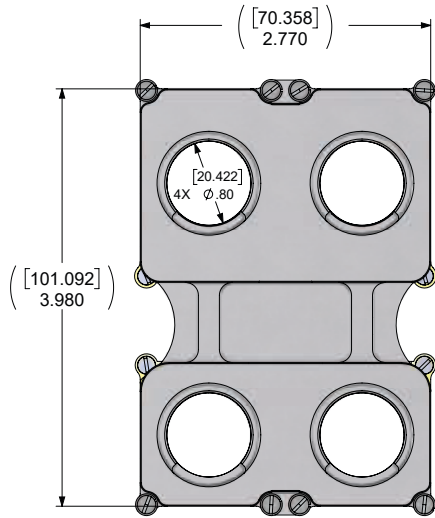
ONE PIECE

SPLIT

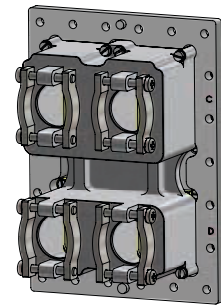
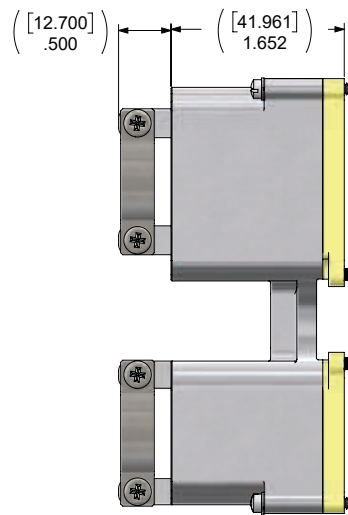
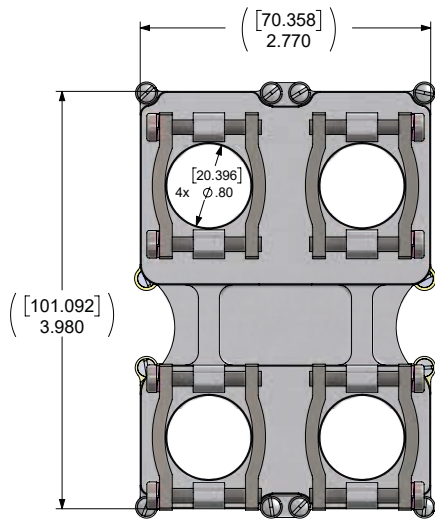
- Split backshell is dimensionally identical to one piece style
- Connector shown for reference only (order separately)
- Dimensions are in inches (mm)

Straight Exit Port - Size 3

EMI STRAIN RELIEF



SADDLE CLAMP

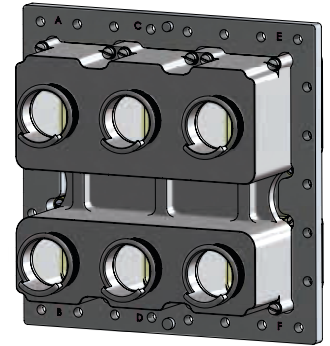
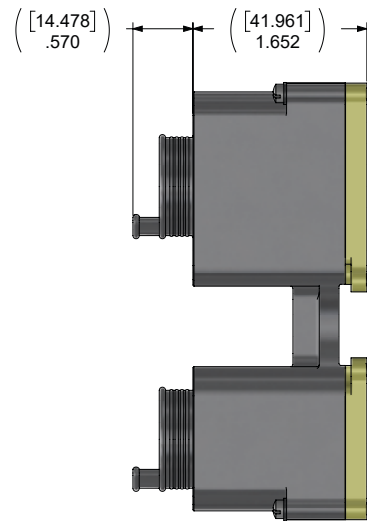
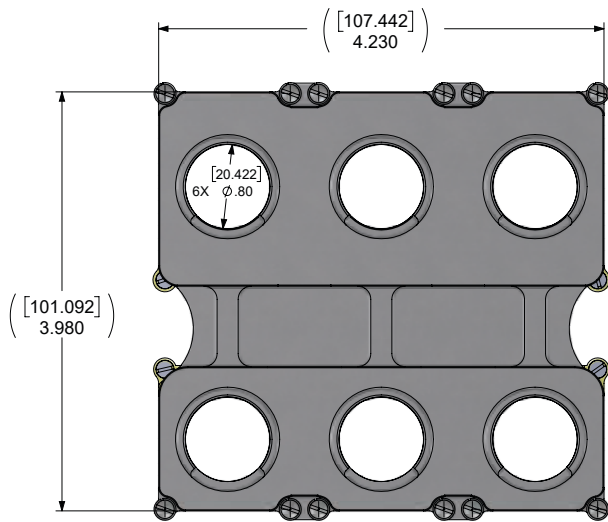


- Not available in split options
- Connector shown for reference only (order separately)
- Dimensions are in inches (mm)

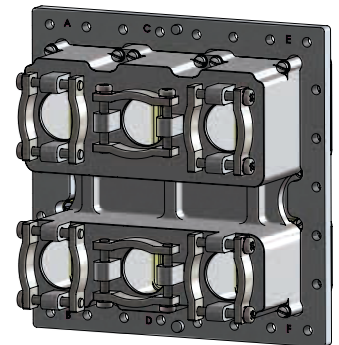
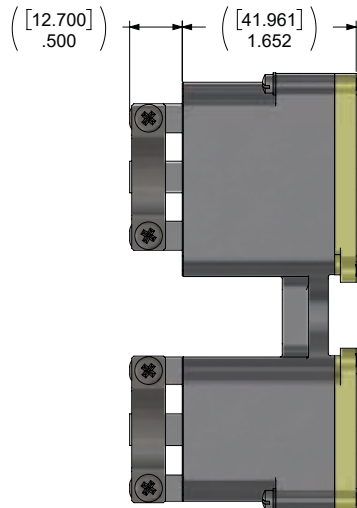
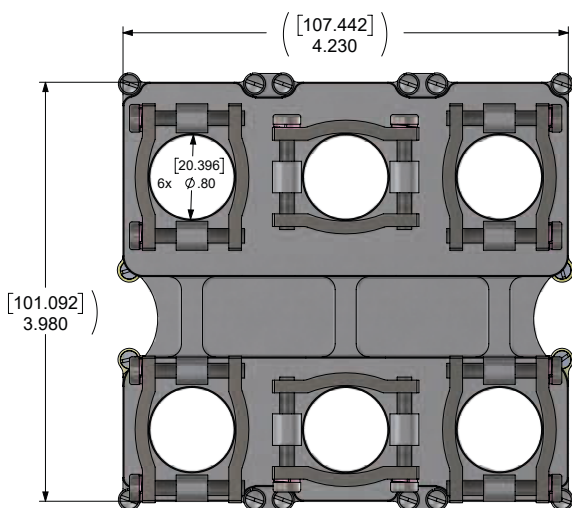
Straight Exit Port - Size 4

EMI STRAIN RELIEF

R27 Backshells



SADDLE CLAMP

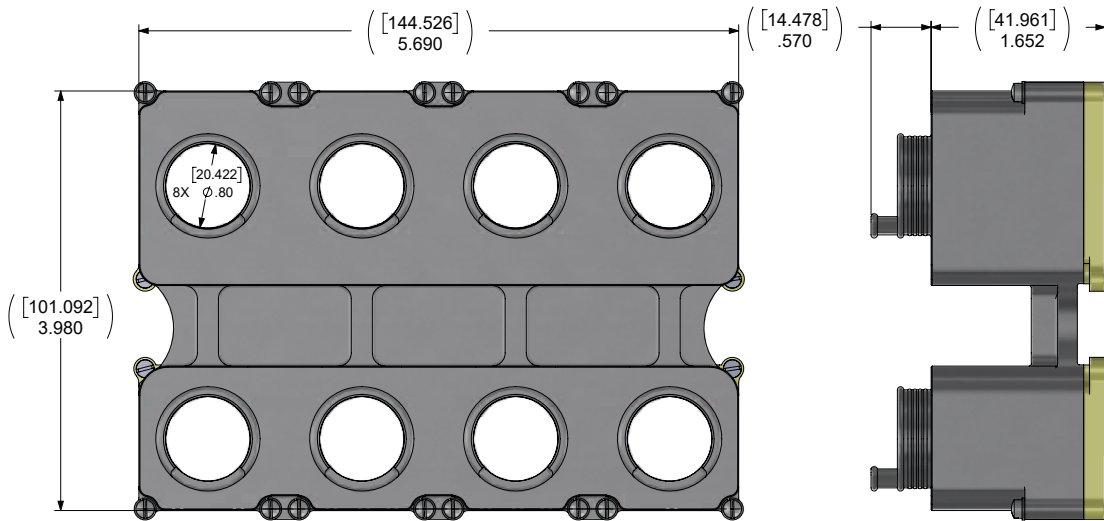
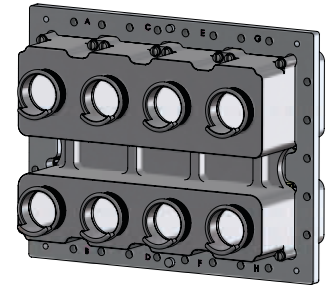


- Not available in split options
- Connector shown for reference only (order separately)
- Dimensions are in inches (mm)

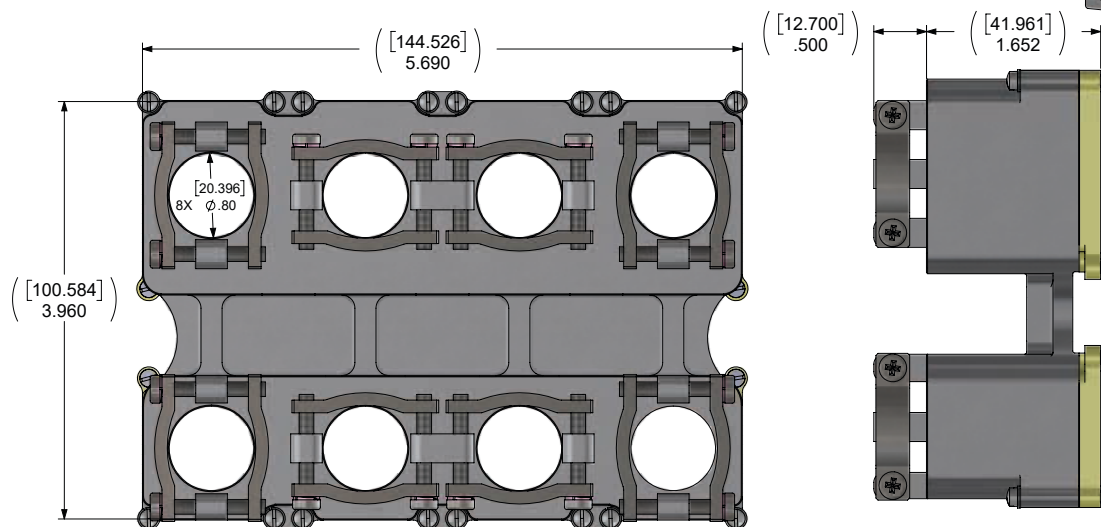
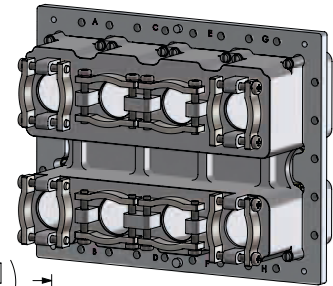
Contact Amphenol Canada for more information at 416-291-4401 • www.amphenolcanada.com
 Download 2D drawings & 3D models using our online configurator.

Straight Exit Port - Size 6

EMI STRAIN RELIEF



SADDLE CLAMP

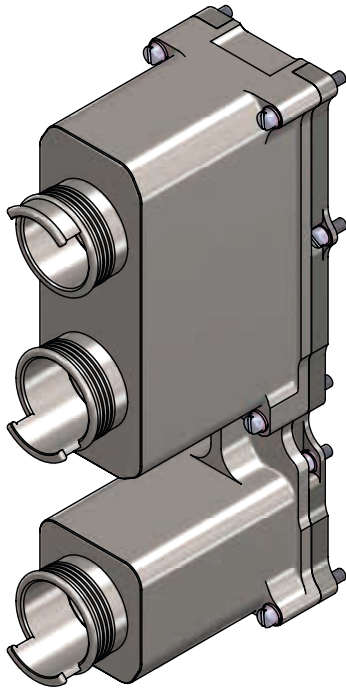


- Not available in split options
- Connector shown for reference only (order separately)
- Dimensions are in inches (mm)

ARINC 600 Backshells

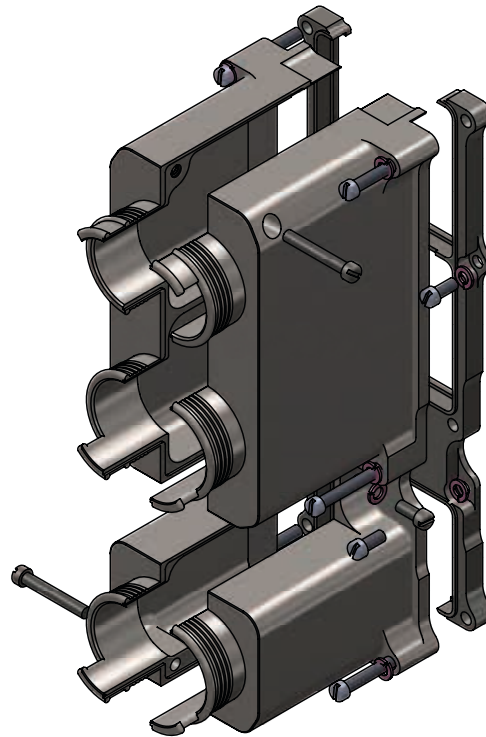


Body Style



ONE-PIECE

- One solid piece structure
- Round or Elliptical Exit Port
- Dual use for plug and receptacle
- Backshells are machined from aluminum alloy and are offered with various plating options
- Hardware: Passivated stainless steel
- Custom configurations available



SPLIT

- Two piece structure
- Round or Elliptical Exit Port
- Dual use for plug and receptacle (Size 2 and 3)
- Backshells are machined from aluminum alloy and are offered with various plating options.
- Hardware: Passivated stainless steel
- Custom configurations available

How To Order

1.	2.	3.	4.	5.	6.	7.	8.
RoHS Compliance	Connector Series	Backshell	Shell Style	Backshell Style	Exit Shape	Plating	Deviation Number
	600-	B	4	B	C	1-	000

ARINC 600 Backshells

1. RoHS Compliance	
E	RoHS Compliant
	Blank for Non-RoHS

2. Connector Series	
600-	ARINC 600

3. Back Shell	
B	Backshell

4. Shell style	
1	Size 1
2	Size 2
3	Size 3

5. Backshell style	
A	Split, Saddle Clamp (Size 1 & 2 only)
B	Split, Strain Relief, EMI (Size 1 & 2 only)
C	One Piece, Strain Relief, EMI
D	One Piece, Saddle Clamp
E	Threaded Adapter

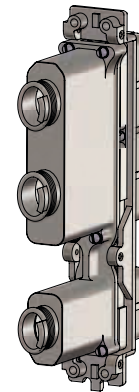
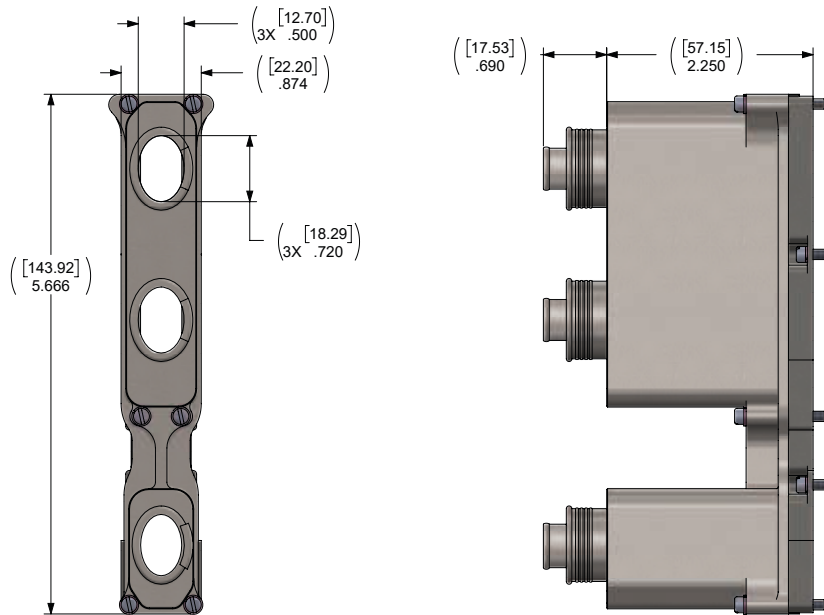
6. Exit Shape	
C	Circular
E	Elliptical

7. Plating	
1-	Electroless Nickel
2-	Olive Drab Chromate
3-	Tin
4-	Gold
5-	Zinc Nickel
6-	Yellow CAD
7-	Chem Film
8-	Nickel Fluorocarbon Polymer (Duralon)
9-	Black Zinc Nickel

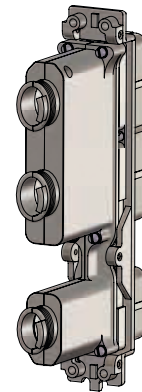
8. Deviation Number	
000	Standard

Elliptical Exit Port - Size 1

EMI Strain Relief

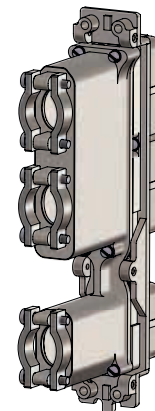
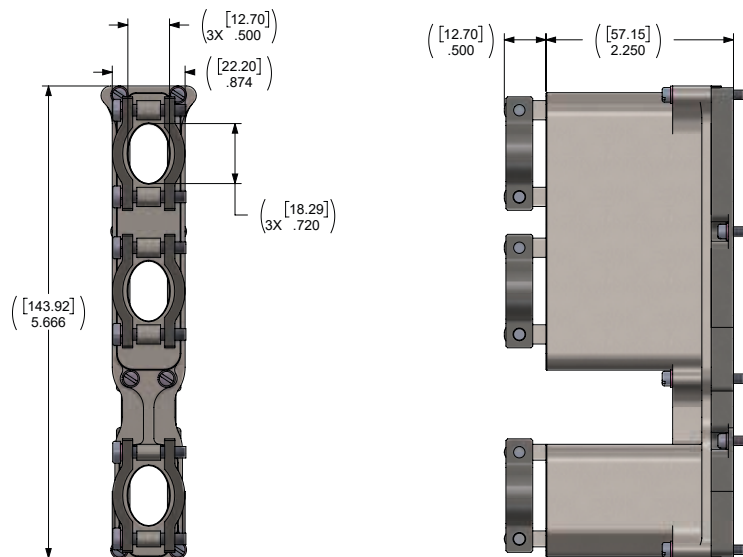


ONE PIECE

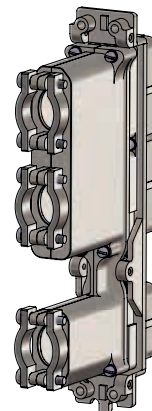


SPLIT

Saddle Clamp



ONE PIECE

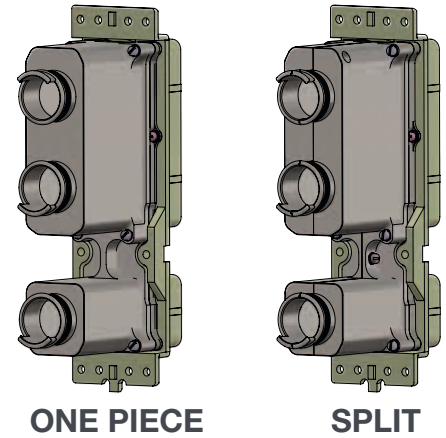
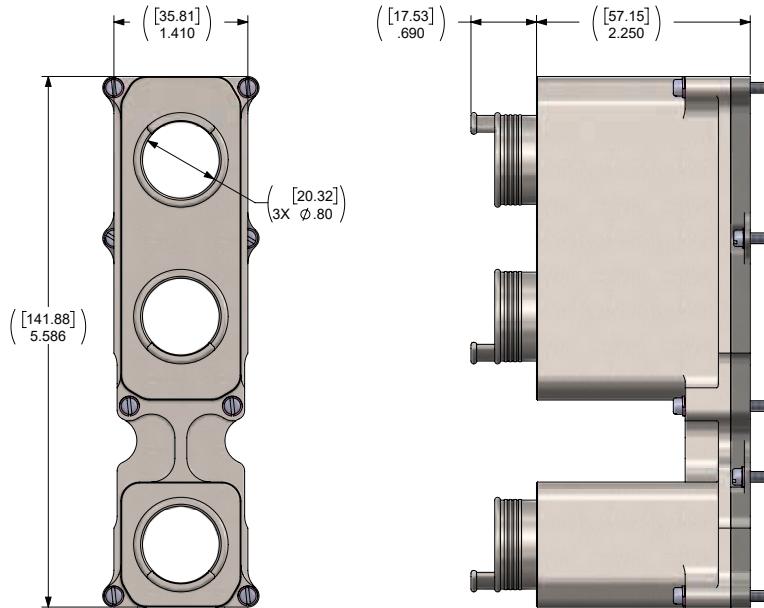


SPLIT

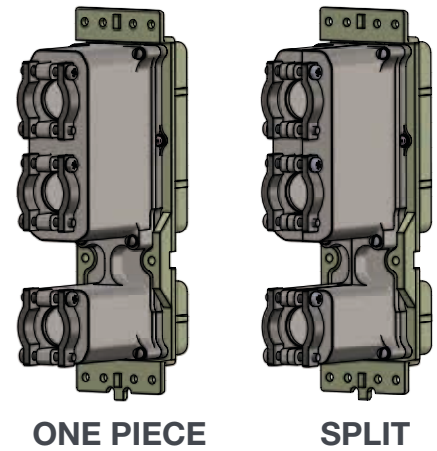
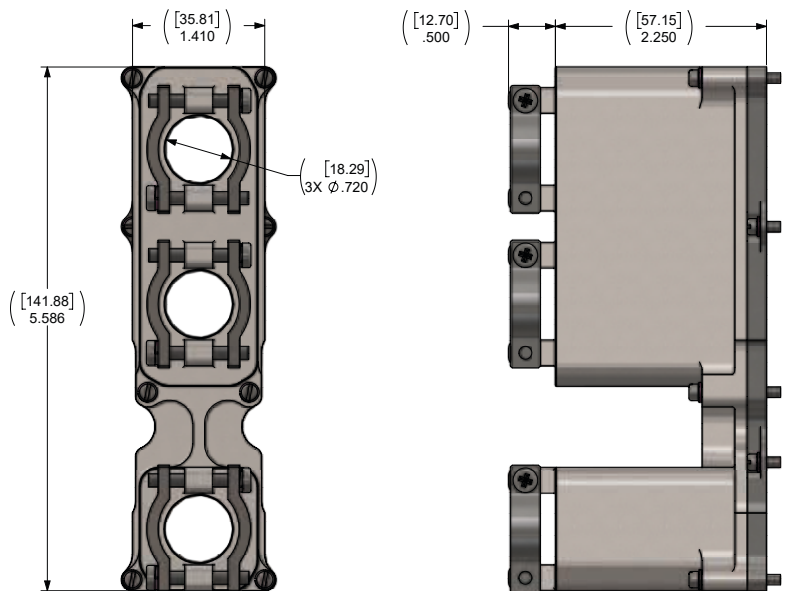
- Split backshell is dimensionally identical to one piece style
- Connector shown for reference only (Order separately)
- Dimensions are in inches (mm)

Circular Exit Port - Size 2

EMI Strain Relief



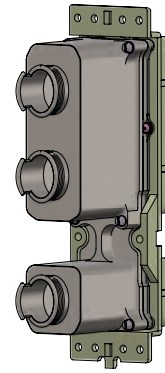
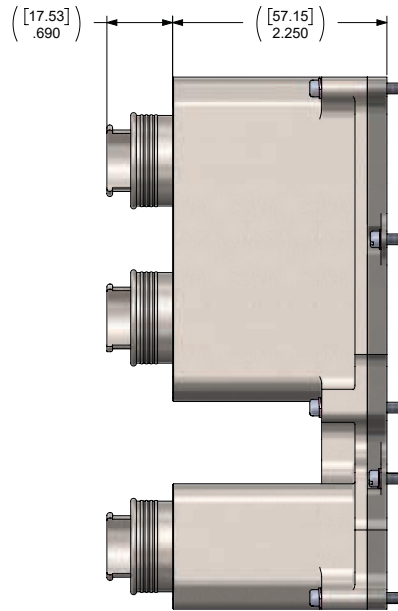
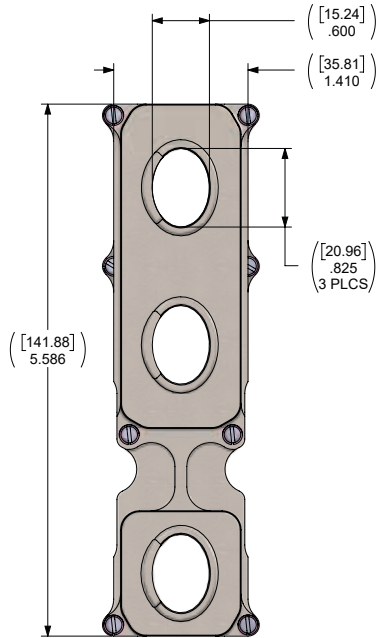
Saddle Clamp



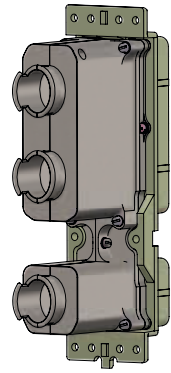
- Split backshell is dimensionally identical to one piece style
- Connector shown for reference only (Order separately)
- Dimensions are in inches (mm)

Elliptical Exit Port- Size 2

EMI Strain Relief

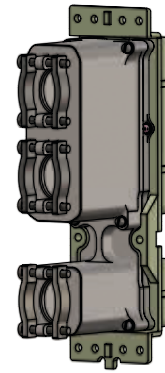
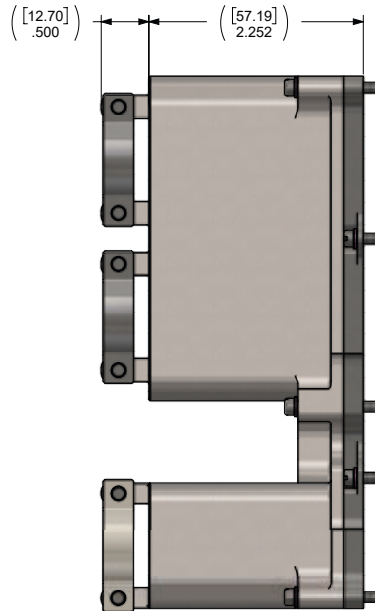
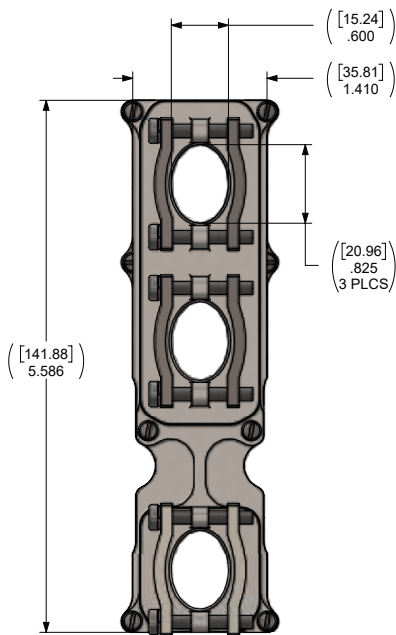


ONE PIECE

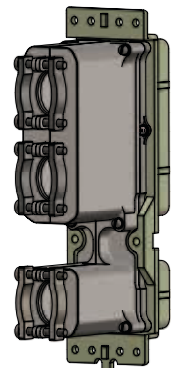


SPLIT

Saddle Clamp



ONE PIECE



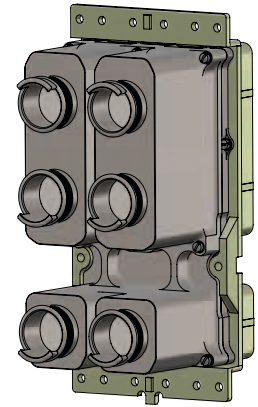
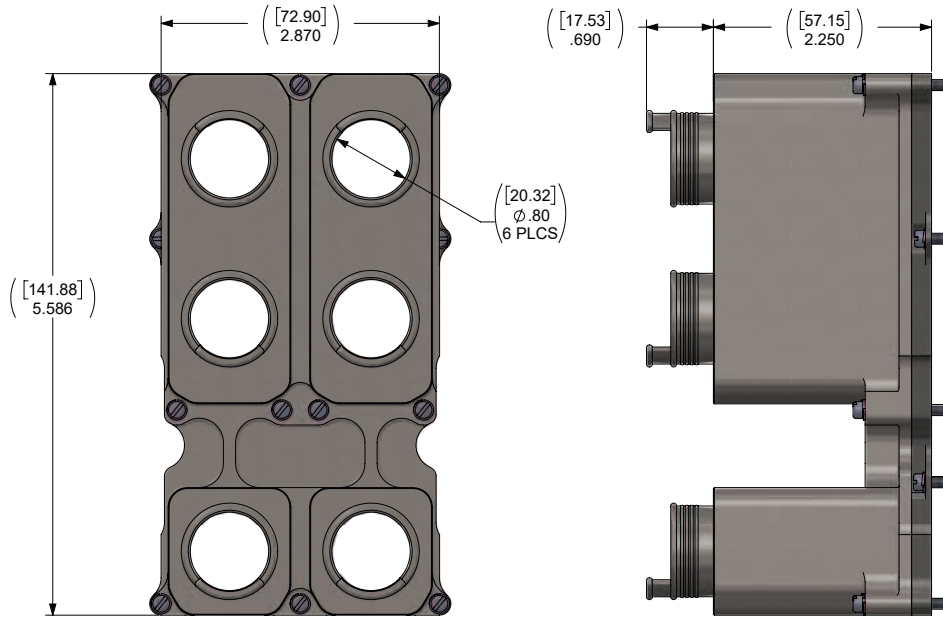
SPLIT

- Split backshell is dimensionally identical to one piece style
- Connector shown for reference only (Order separately)
- Dimensions are in inches (mm)

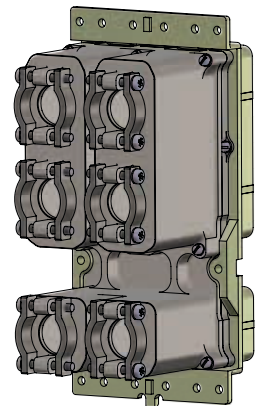
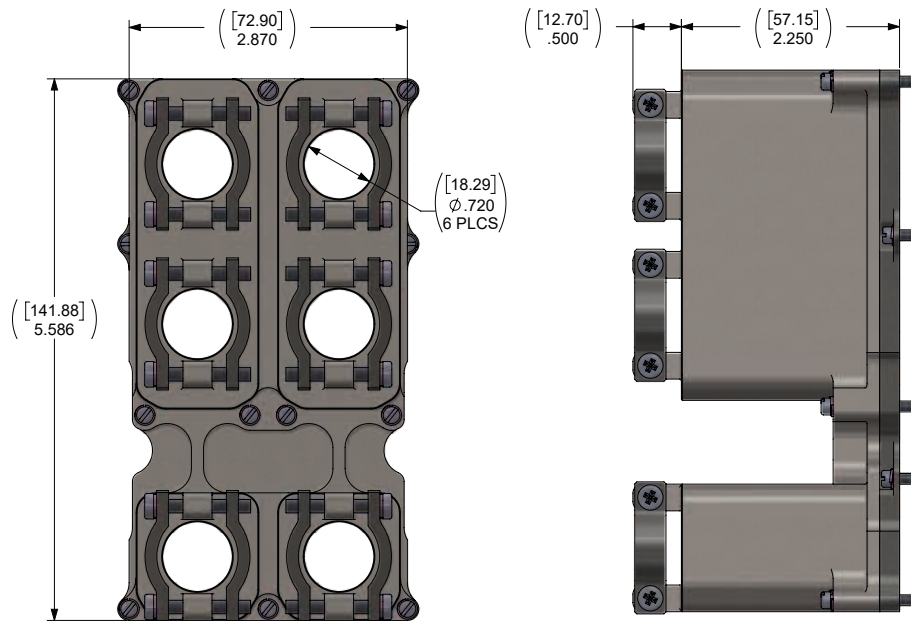
Circular Exit Port - Size 3

EMI Strain Relief

ARINC 600 Backshells



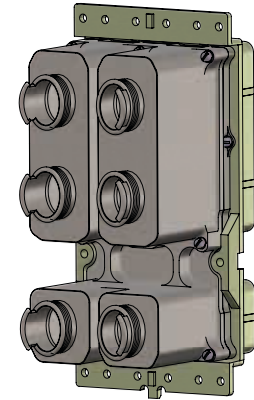
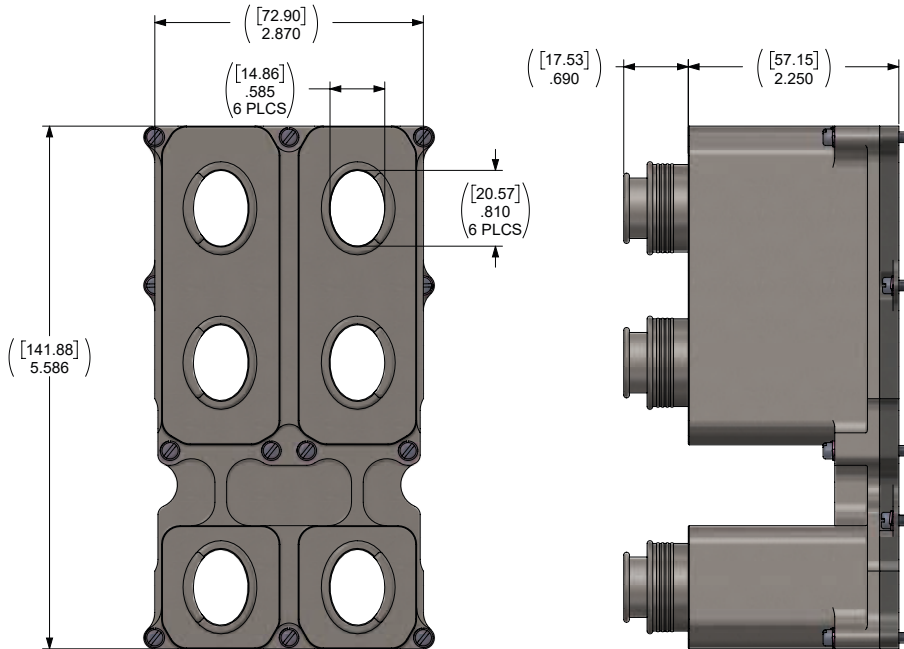
Saddle Clamp



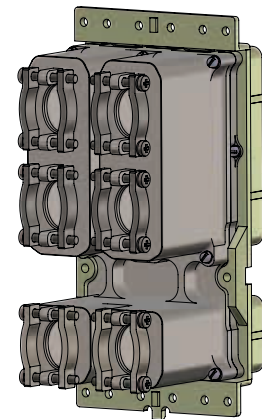
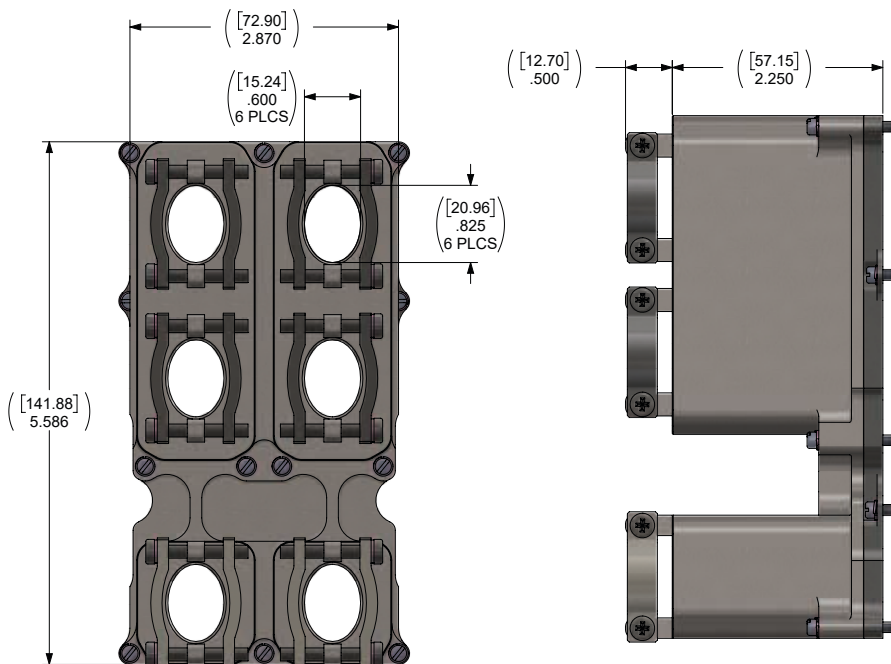
- Not available in split option
- Connector shown for reference only (Order separately)
- Dimensions are in inches (mm)

Elliptical Exit Port - Size 3

EMI Strain Relief



Saddle Clamp

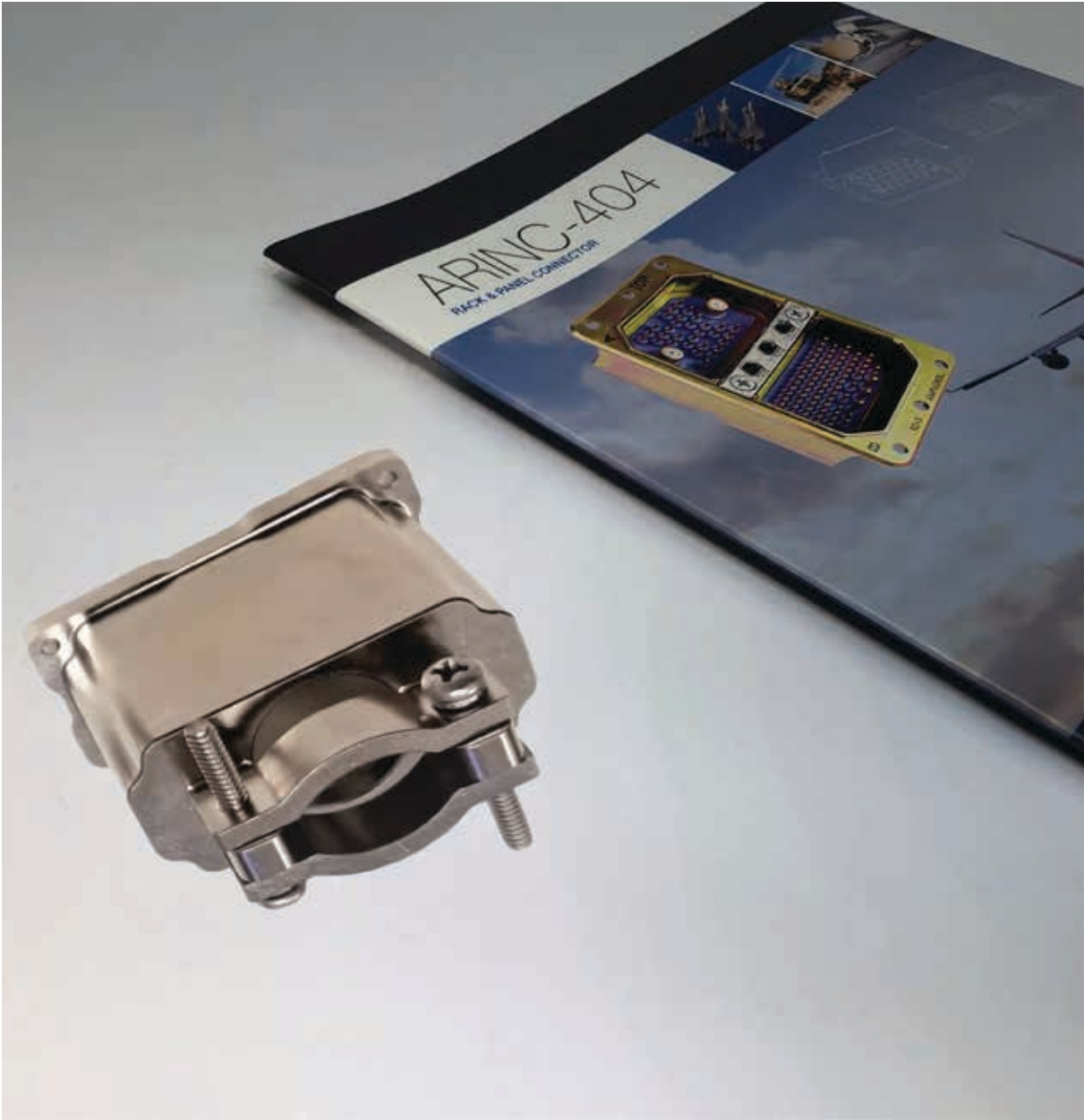


- Not available in split option
- Connector shown for reference only (Order separately)
- Dimensions are in inches (mm)

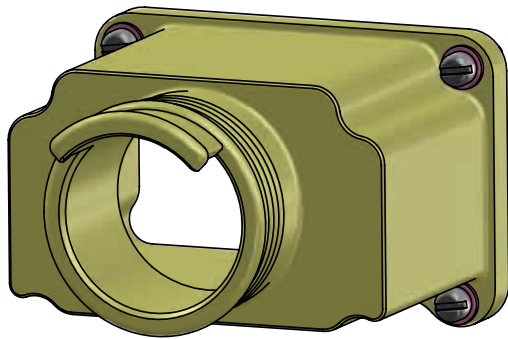
ARINC 404 BACKSHELLS

SUITABLE FOR ARINC 404/MIL-C-81659 CONNECTORS

ARINC 404 Backshells

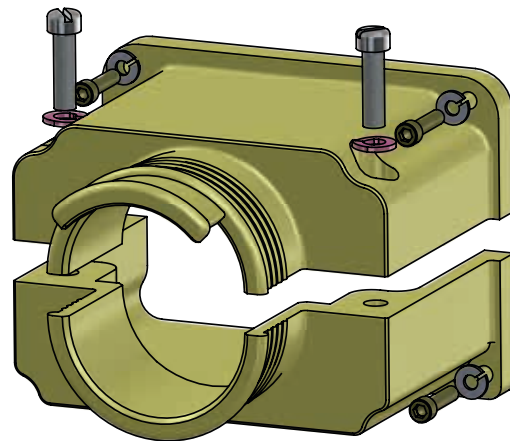


Body Style



ONE-PIECE

- One solid piece structure
- Round or Elliptical Exit Port
- Dual use for plug and receptacle
- Backshells are machined from aluminum alloy and offered with various plating options
- Hardware: Passivated stainless steel
- Custom configurations available



SPLIT

- Two piece structure
- Round or Elliptical Exit Port
- Dual use for plug and receptacle
- Backshells are machined from aluminum alloy and offered with various plating options.
- Hardware: Passivated stainless steel
- Custom configurations available

How To Order

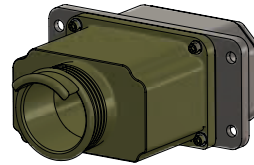
1.	2.	3.	4.	5.	6.	7.
RoHS Compliance	Connector Series	Backshell	Shell Style	Backshell Style	Plating	Deviation
	404-	B	2	B	1-	000

ARINC 404 Backshells

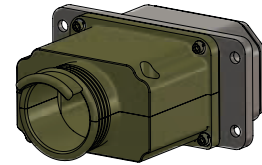
1. RoHS Compliance		2. Connector Series		3. Back Shell		4. Shell Style	
E	RoHS Compliant	404-	ARINC 600	B	Backshell	A	Size A, Non-Polarized Shell
	Blank for Non-RoHS					1	Size 1, Polarized Shell
						2	Size 2
5. Backshell Style		6. Plating		7. Deviation Number			
A	Split, Saddle Clamp	1-	Electroless Nickel	000	Standard		
B	Split, EMI Strain Relief	2-	Olive Drab Chromate				
C	One Piece, EMI Strain Relief	3-	Tin				
D	One Piece, Saddle Clamp	4-	Gold				
E	One Piece, EMI Strain Relief, Oval Exit	5-	Zinc Nickel				
		6-	Yellow Cadmium Per ARINC 404				
		7-	Chem Film				
		8-	Nickel Fluorocarbon Polymer (Durmalon)				
		9-	Black Zinc Nickel				

Size A - Circular Exit Port Non-Polarized Shell

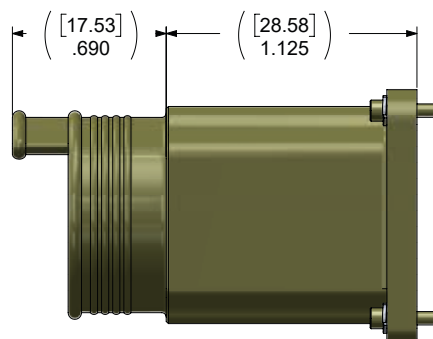
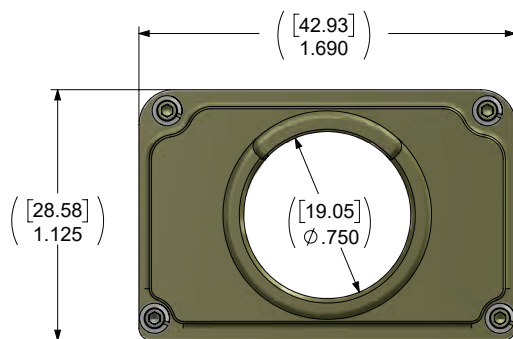
EMI Strain Relief



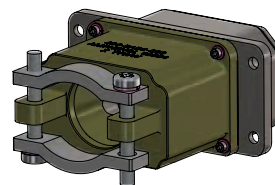
ONE PIECE



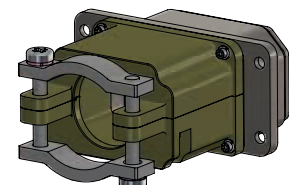
SPLIT



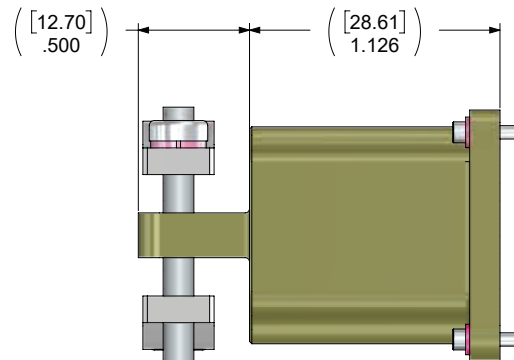
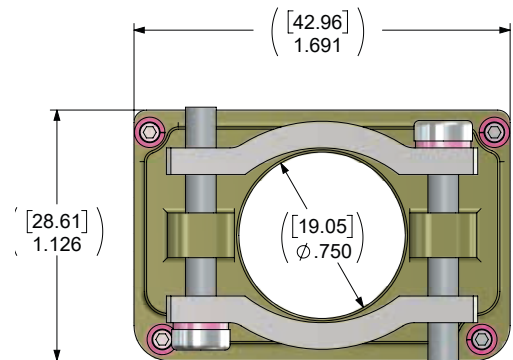
Saddle Clamp



ONE PIECE



SPLIT



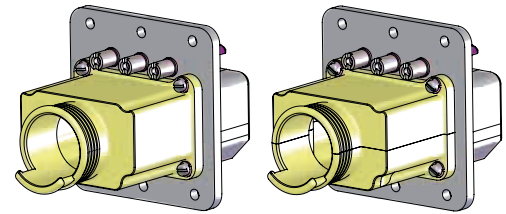
- Split backshell is dimensionally identical to one piece style
- Connector shown for reference only (Order separately)
- Dimensions are in inches (mm)

ARINC 404 BACKSHELLS

SUITABLE FOR ARINC 404/MIL-C-81659 CONNECTORS

Size 1 - Circular Exit Port Polarized Shell

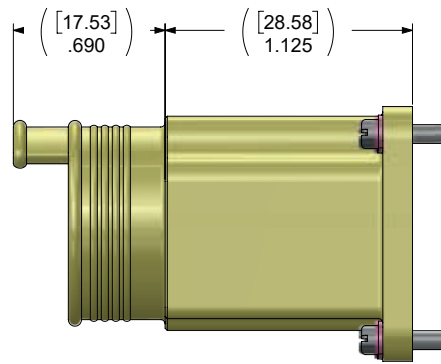
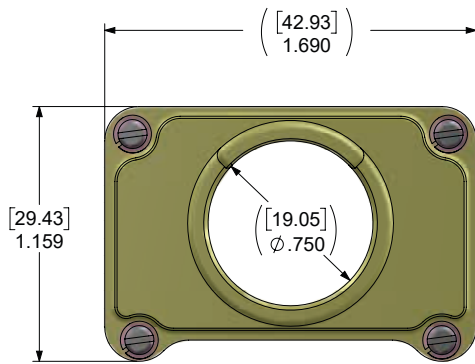
EMI Strain Relief



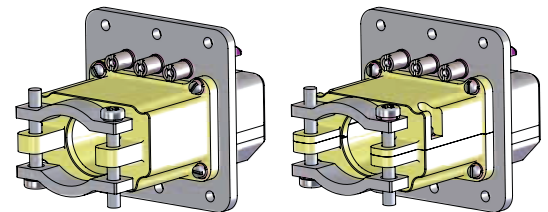
ONE PIECE

SPLIT

ARINC 404 Backshells

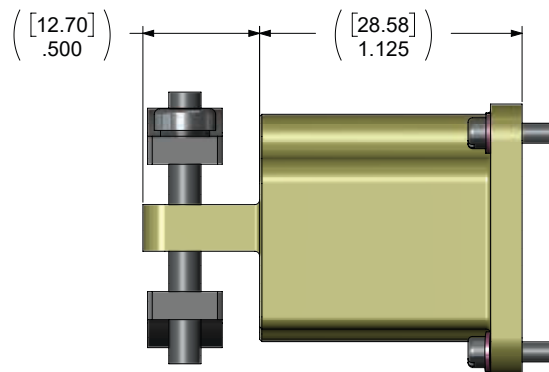
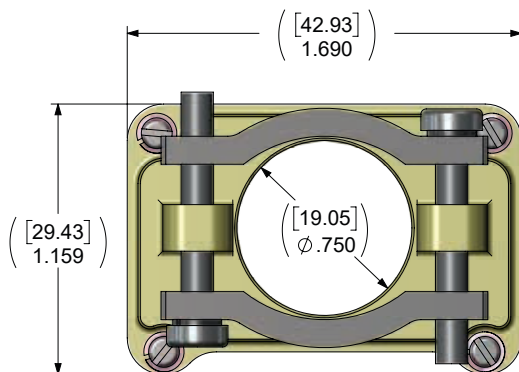


Saddle Clamp



ONE PIECE

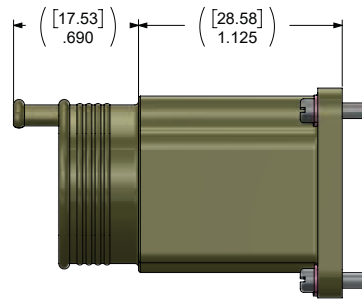
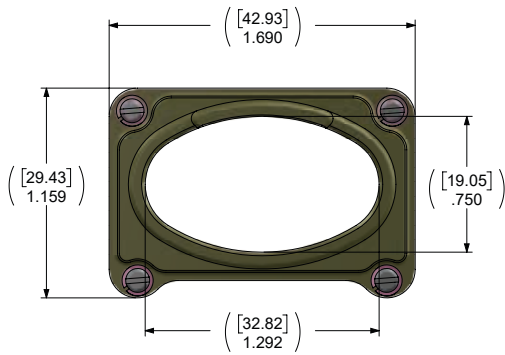
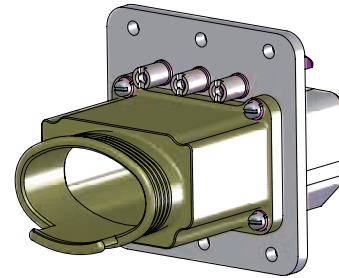
SPLIT



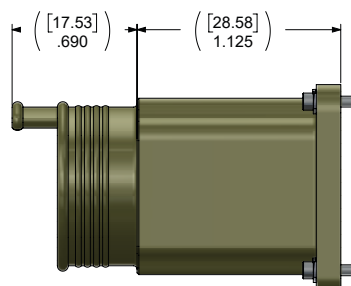
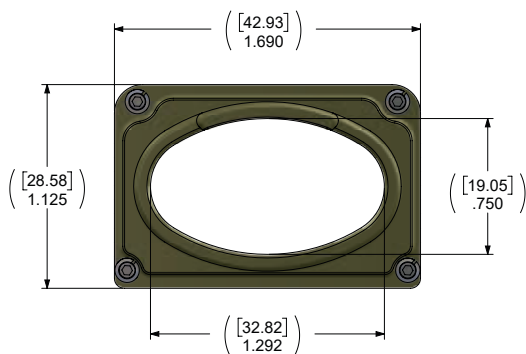
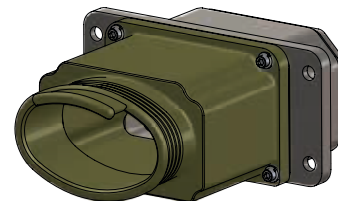
- Split backshell is dimensionally identical to one piece style
- Connector shown for reference only (Order separately)
- Dimensions are in inches (mm)

Oval Exit Port

Size 1



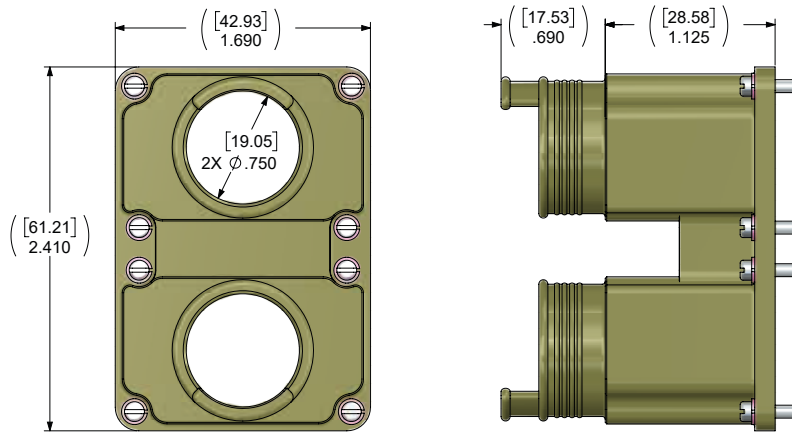
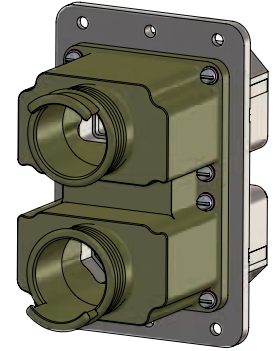
Size A



- Connector shown for reference only (Order separately)
- Dimensions are in inches (mm)

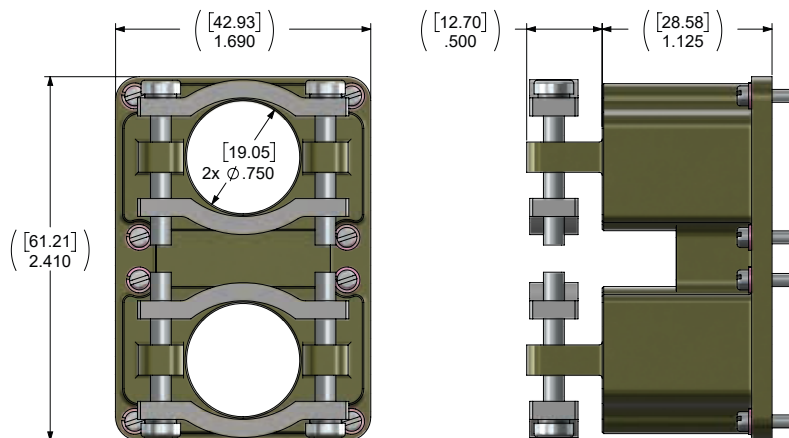
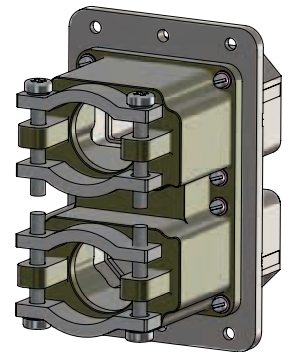
Size 2 - Circular Exit Port

EMI Strain Relief



ARINC 404 Backshells

Saddle Clamp



- Connector shown for reference only (Order separately)
- Dimensions are in inches (mm)



How To Order

1.	2.	3.	4.	5.	6.	7.
RoHS Compliance	Connector Series	Backshell	Finish	Exit Port Angle	Exit Port Type	Customer Number
	R39-	B	1	00	A-	000

1. RoHS Compliance	
E	RoHS Compliant
	Blank for Non-RoHS

2. Connector Series	
R39-	Rectangular 38999

3. Backshell	
B	Backshell

4. Finish	
1	Electroless Nickel
2	OD Chromate
3	Tin
4	Gold
5	Zinc Nickel
7	Black Zinc Nickel (500 Hrs)
8	Nickel Teflon
9	Stainless Steel
P	Non-Metallic

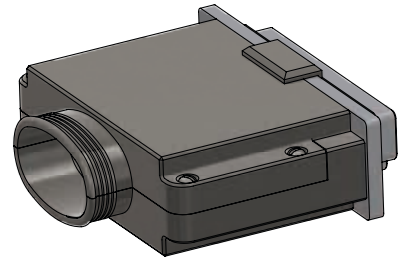
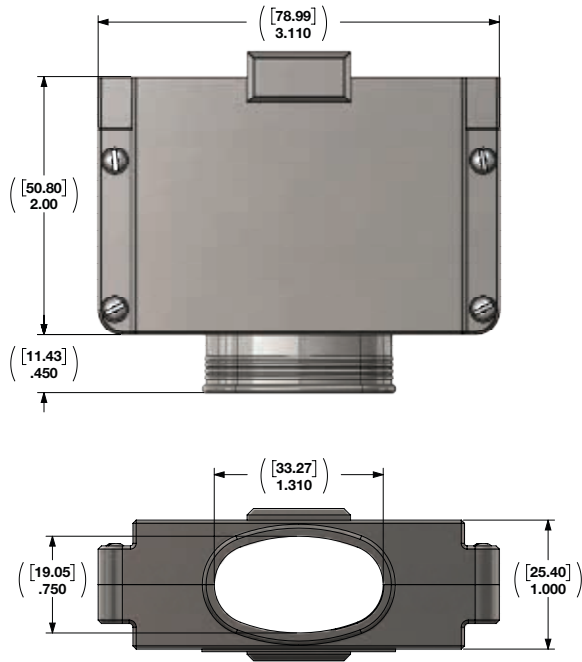
5. Exit Port Angle	
00	Straight
90	90° Vertical Angle Exit
45	45° Horizontal Angle Exit

6. Exit Port Type	
A-	Saddle clamp
B-	Elliptical EMI Band with Strain Relief
C-	Circular EMI Band with Strain Relief
D-	Split, Threaded Adapter

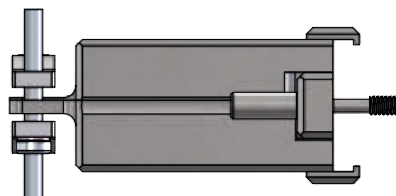
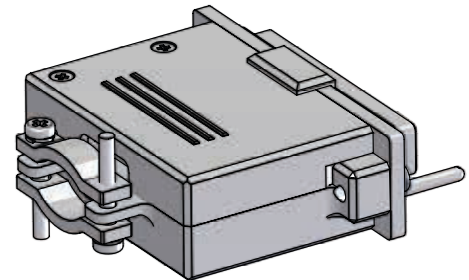
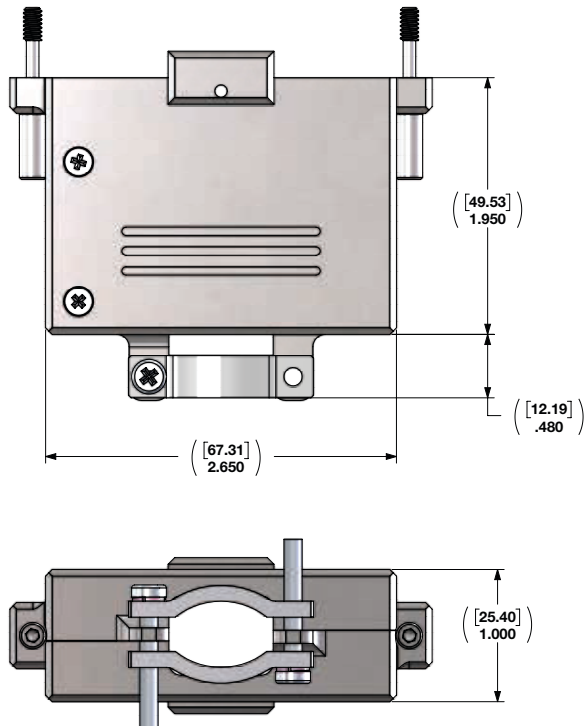
7. Customer Number	
000	Standard

R39 Backshells

Strain Relief

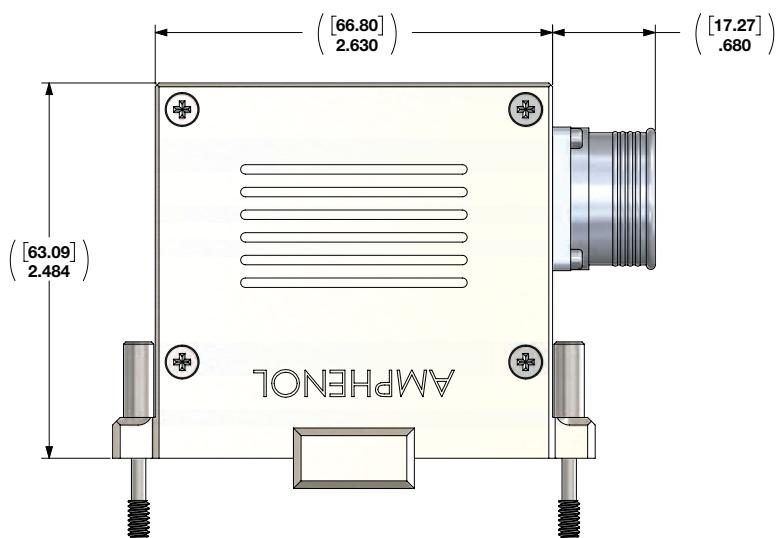
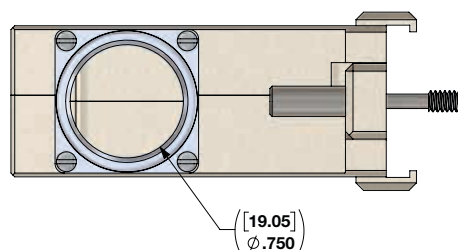
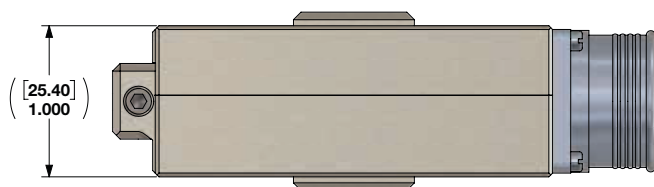
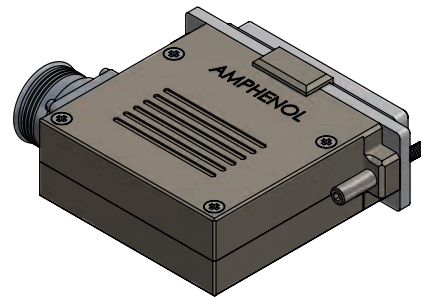


Saddle Clamp



- Connector shown for reference only (Order separately)
- Dimensions are in inches (mm)

Threaded Adapter

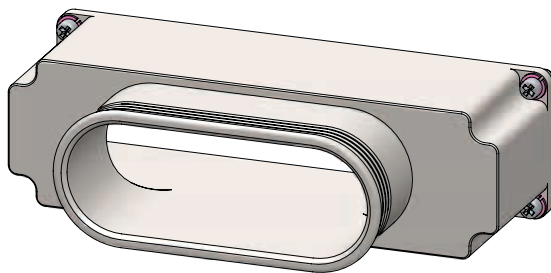


R39 Backshells

- Connector shown for reference only (Order separately)
- Dimensions are in inches (mm)

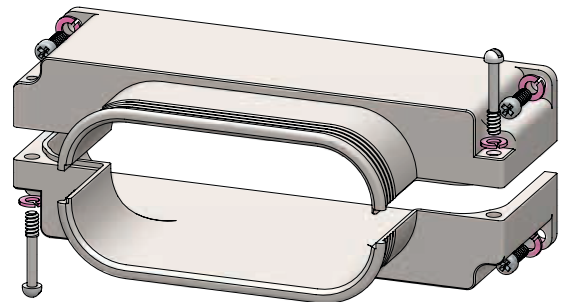


Body Styles



ONE-PIECE

- One solid piece structure
- Provides strain relief and EMI shielding
- Available in straight and 90° Configuration
- Backshells are machined from aluminum alloy
- Offered with various plating options
- Hardware: Passivated stainless steel
- Custom configurations available



SPLIT

- Two piece structure
- Provides strain relief and EMI shielding
- Available in Straight and 90° Configuration
- Backshells are machined from aluminum alloy
- Offered with various plating options
- Hardware: Passivated stainless steel
- Custom configurations available

How To Order

1.	2.	3.	4.	5.	6.	7.
RoHS Compliance	Connector Series	Backshell	Shell Size	Backshell Style	Shell Finish	Deviation Code
	R58-	B	A	A	1-	000

1. RoHS Compliance	
E	RoHS Compliant
	Blank for Non-RoHS

2. Connector Series	
R58-	Connector Series

3. Backshell	
B	Backshell

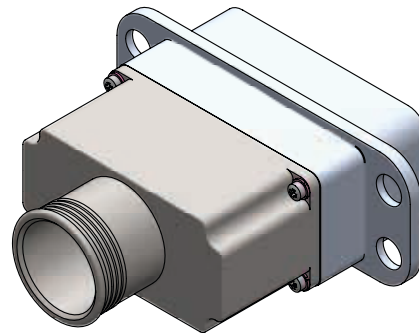
4. Shell Size	
A	Small shell
B	Large Shell

5. BACKSHELL STYLE	
A	Split, Saddle Clamp
B	Split, EMI Strain Relief
C	One Piece, EMI Strain Relief, Straight
D	One Piece, Threaded Adapter, Straight
E	One Piece, Saddle Clamp

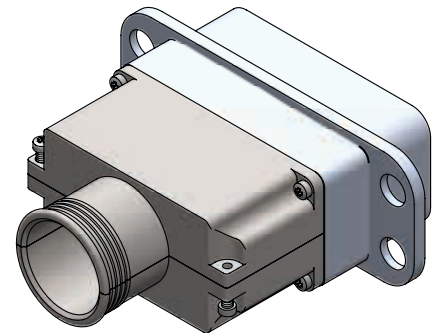
6. Shell Finish	
1-	Electroless Nickel
2-	OD Chromate
3-	Tin
4-	Gold
5-	Black Zinc Nickel
6-	Yellow Cadmium
7-	Chem Film
8-	Nickel Fluorocarbon Polymer (Duralon)

7. Deviation Number	
000	Standard

Straight Exit Port Size A

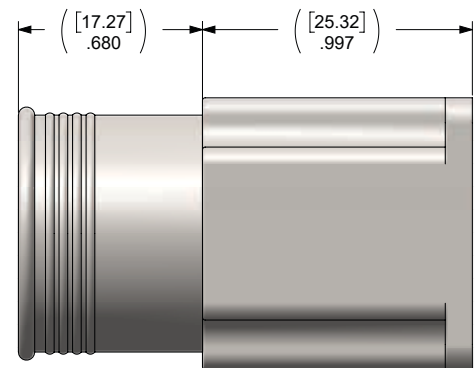
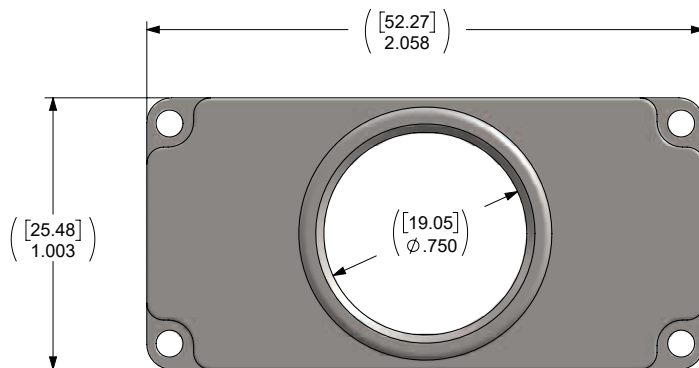


ONE PIECE



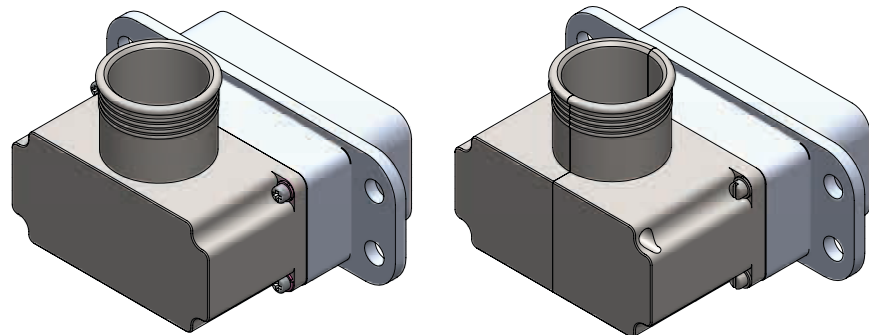
SPLIT

R58 Backshells



- Split backshell is dimensionally identical to one piece style
- Connector shown for reference only (order separately)
- Dimensions are in inches (mm)

Right Angle Exit Port Size A

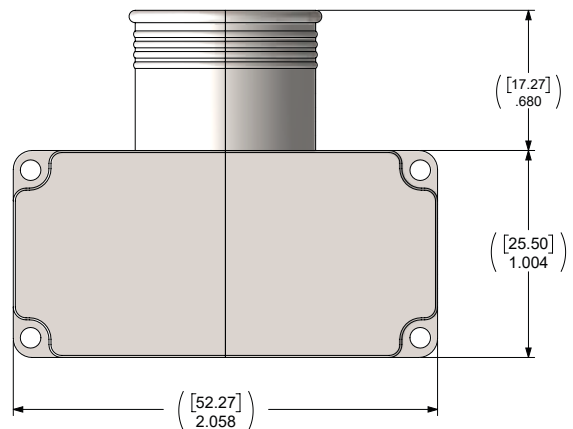
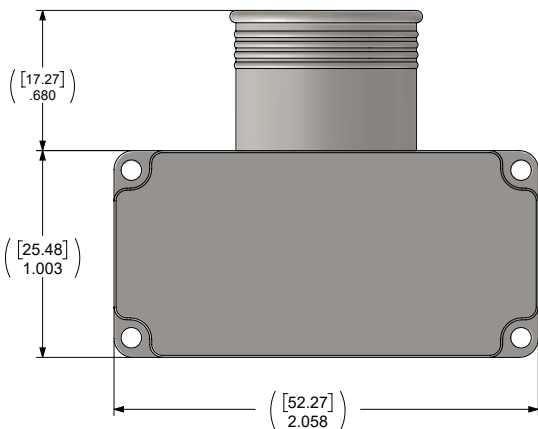
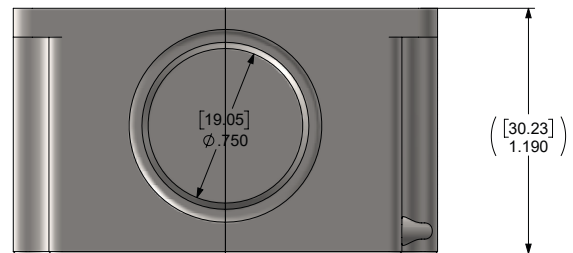
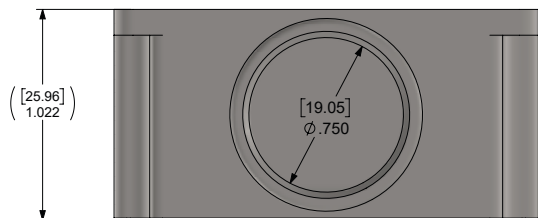


ONE PIECE

SPLIT

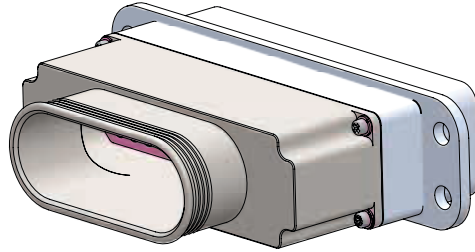
ONE PIECE

SPLIT

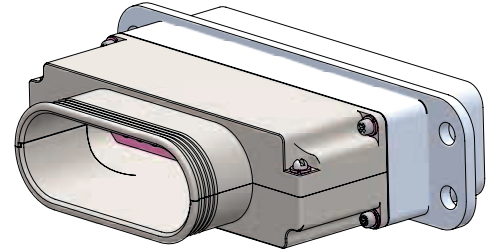


- Connector shown for reference only (order separately)
- Dimensions are in inches (mm)

Straight Exit Port Size B

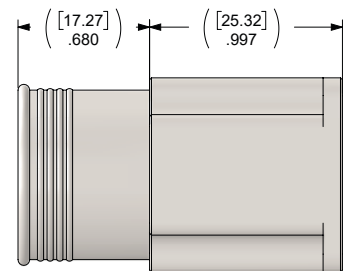
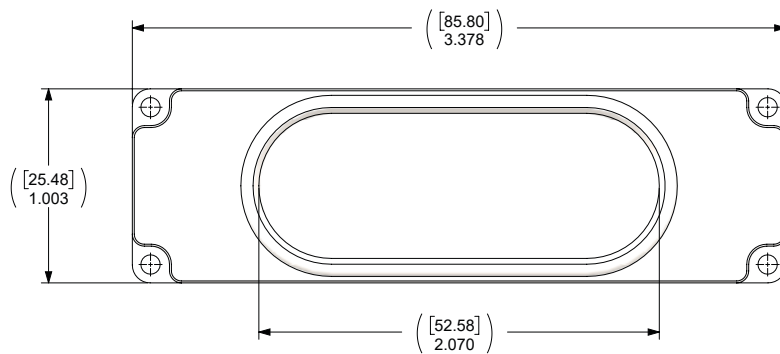


ONE PIECE



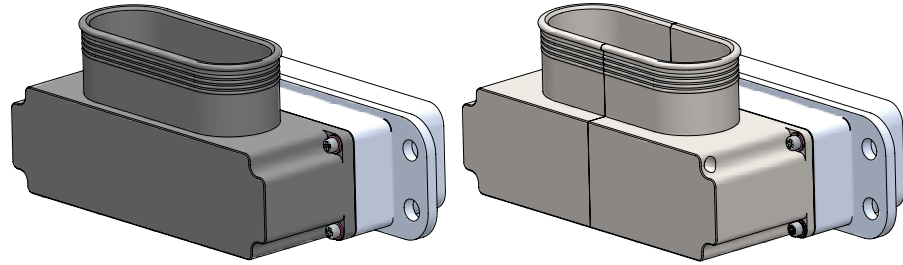
SPLIT

R58 Backshells



- Split backshell is dimensionally identical to one piece style
- Connector shown for reference only (order separately)
- Dimensions are in inches (mm)

Right Angle Exit Port Size B

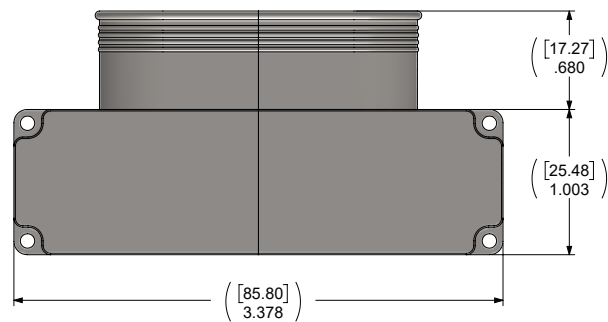
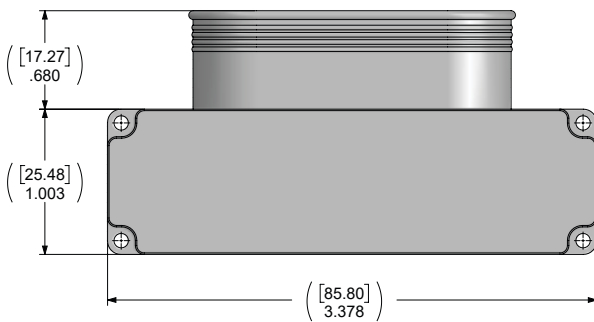
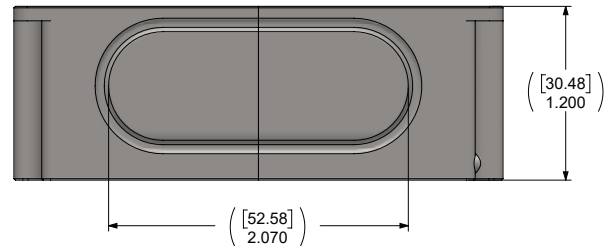
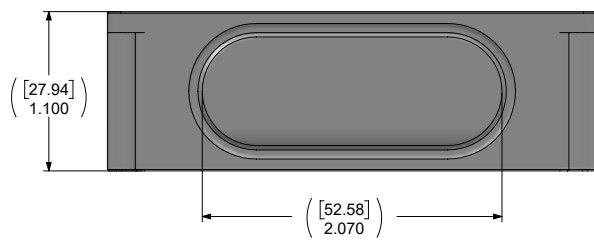


ONE PIECE

SPLIT

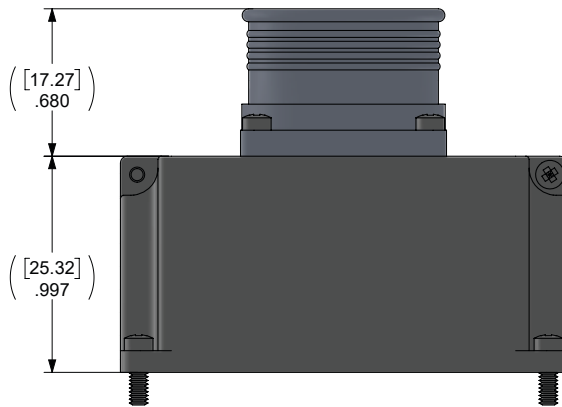
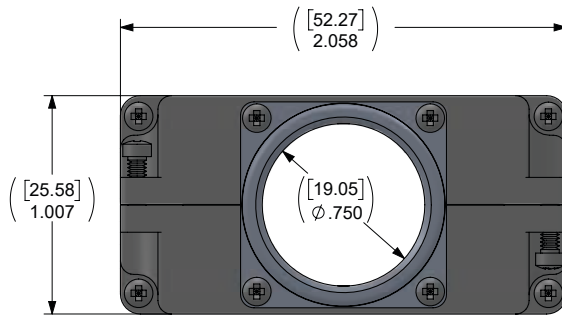
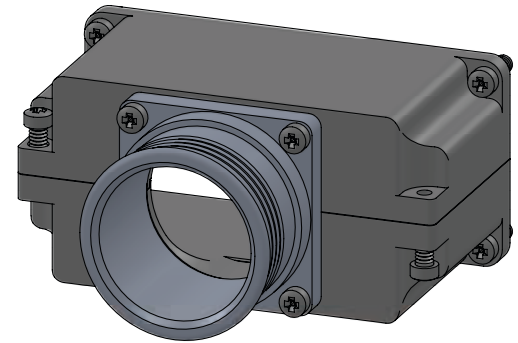
ONE PIECE

SPLIT



- Connector shown for reference only (order separately)
- Dimensions are in inches (mm)

Threaded Adapter



R58 Backshells

- Connector shown for reference only (order separately)
- Dimensions are in inches (mm)



How To Order

1.	2.	3.	4.	5.	6.	7.	8.	9.
RoHS Compliance	Connector Series	Direction of Insert Cavity	Backshell	Shell Style	Size	Backshell Style	Plating	Deviation
	MM	A-	B	R	1	A	1-	000

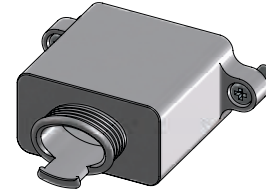
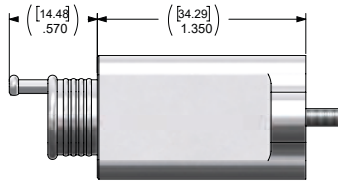
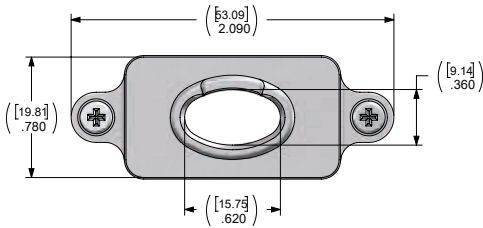
1. RoHS Compliance		2. Connector Series		3. Direction of Insert Cavity		4. Back Shell	
E	RoHS Compliant	MM	Multi modular ARINC	A-	Horizontal-Size 1 (Signal and Power)	B	Backshell
	Blank for Non-RoHS			B-	Horizontal-Size 2 (Signal and Power)		
				C-	Vertical-Size 1 and 2 (Power)		
				D-	Vertical-Size 1 and 2 (Signal)		

5. Shell Style		6. Size		7. Backshell Style		8. Plating	
P	Plug	1	Cav C-C inserts	A	Split, Saddle Clamp	1-	Electroless Nickel
R	Receptacle	2	Cav A-C inserts	B	Split, EMI Strain Relief	2-	Olive Drab Chromate
D	Dual Use-Plug and Receptacle	3	Cav A-A inserts	C	One Piece, EMI Strain Relief, Straight	3-	Tin
		4	Cav C Single insert	D	One Piece, Threaded Adapter, Straight	4-	Gold
		5	Cav A Single insert	F	One Piece, EMI Strain Relief, Right Angle	5-	Zinc Nickel
				G	One Piece, Saddle Clamp, Right Angle	6-	Yellow Cadmium
				H	One Piece, Threaded Adapter, Right Angle	7-	Chem Film
				J	Split, Threaded Adapter, Right Angle	8-	Nickel Fluorocarbon Polymer (Duralon)

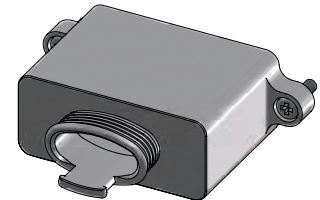
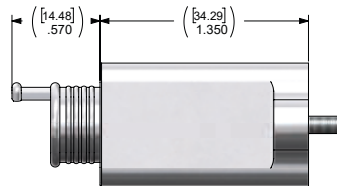
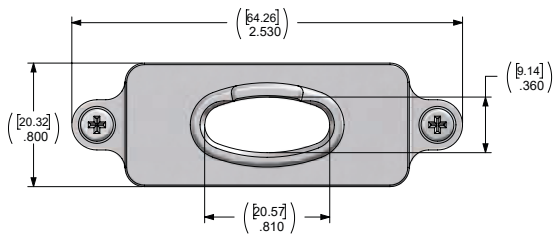
9. DEVIATION NUMBER	
000	Standard

MMA Backshells

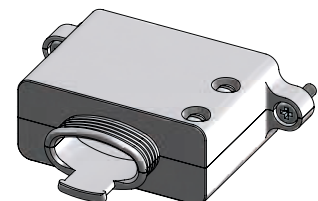
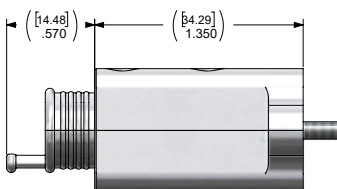
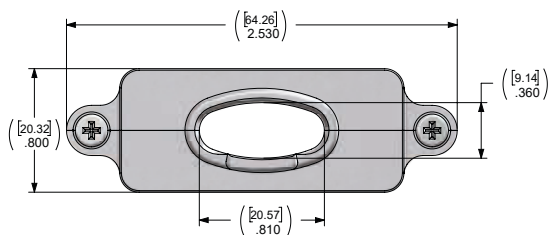
DUAL USE - SIZE 4 - STRAIN RELIEF - MMA



DUAL USE - SIZE 5 - STRAIN RELIEF - MMA

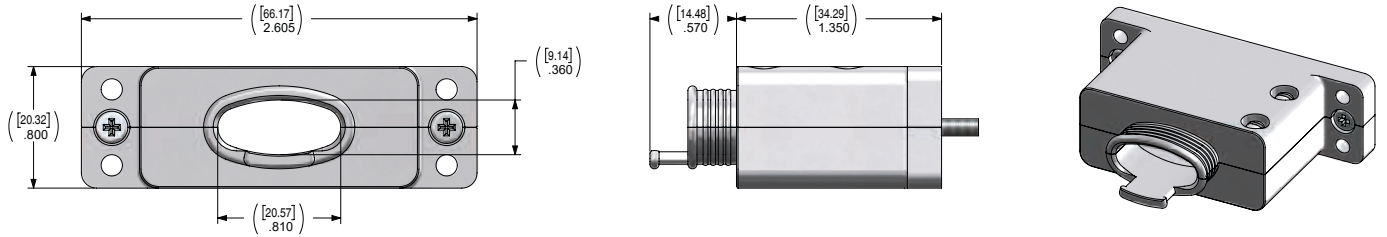


RECEPTACLE - SIZE 5 - STRAIN RELIEF - MMA

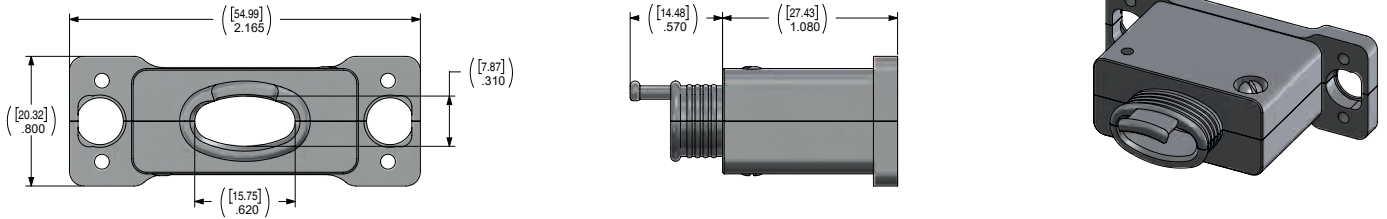


- More designs are available. Consult the factory for your particular application.
- Dimensions are in inches (mm)

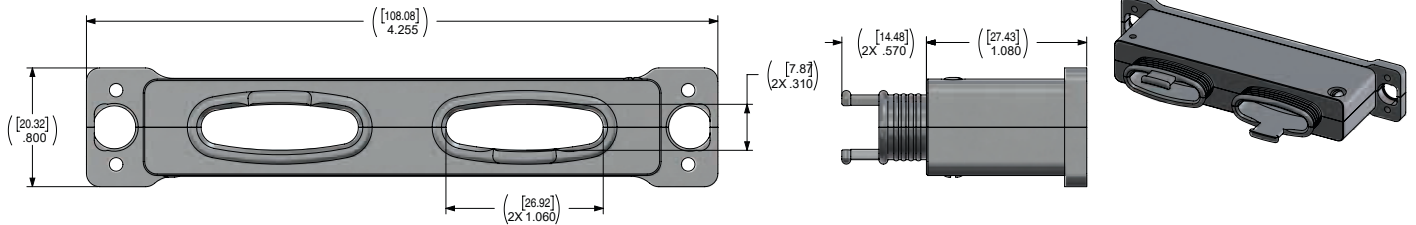
PLUG - SIZE 5 - STRAIN RELIEF - NON POLARIZED - MMA



PLUG - SIZE 5 - STRAIN RELIEF - POLARIZED - MMA

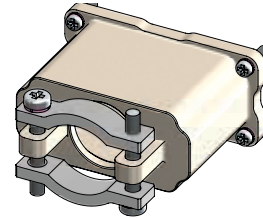
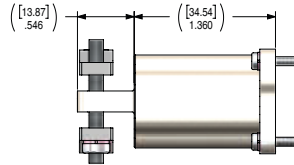
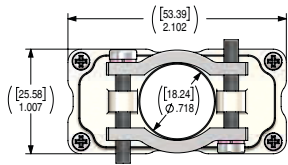


PLUG - DUAL PORTS - SIZE 3 - MMA

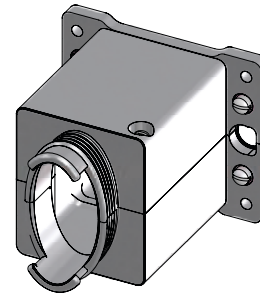
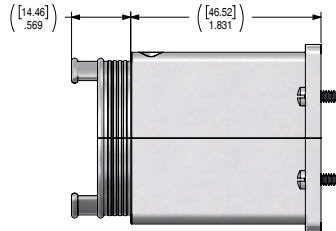
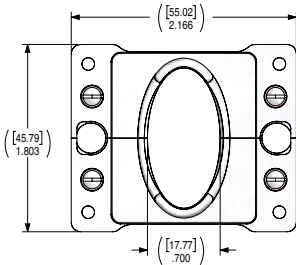


- More designs are available. Consult the factory for your particular application.
- Dimensions are in inches (mm)

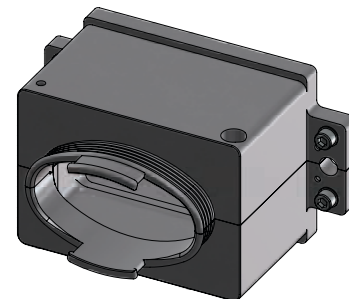
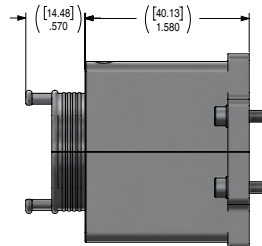
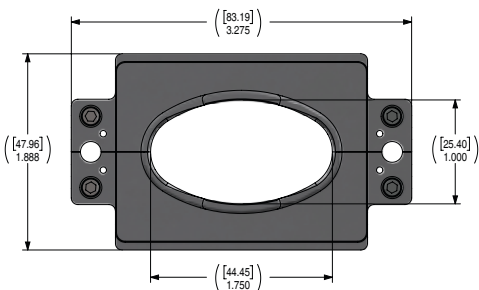
PLUG - SIZE 5 - SADDLE CLAMP - MMA



PLUG - SIZE 5 - STRAIN RELIEF - MMC

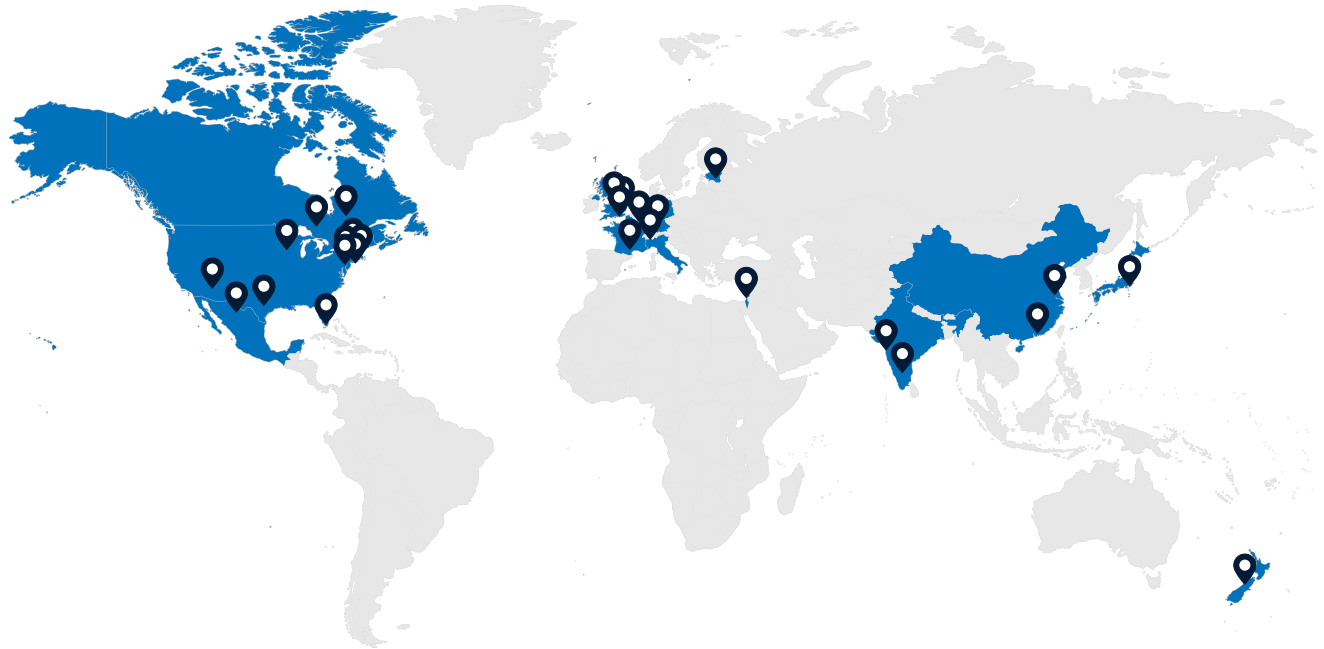


PLUG - SIZE 5 - SINGLE PORT - MMD



- More designs are available. Consult the factory for your particular application.
- Dimensions are in inches (mm)

Amphenol



Amphenol Canada

605 Milner Avenue
Toronto, ON Canada M1B 5X6
416-291-4401

Amphenol Aerospace Operations

40-60 Delaware Avenue
Sidney, NY 13838
800-678-0141

Amphenol Commercial Air Division

40-60 Delaware Avenue
Sidney, NY 13838
1-800-687-0141

Amphenol Nexus Technologies

50 Sunnyside Avenue
Stamford, CT 06902
203-327-7300

Amphenol PCD

72 Cherry Hill Drive
Beverly, MA 01915
978-624-3400

Amphenol SV Microwave

2400 Centrepark West Drive
West Palm Beach, FL
561-840-1800

Amphenol Times Microwave, Inc.

358 Hall Avenue
Wallingford, CT 06492
800-867-2629

Amphenol Fiber Systems International

1300 Central Expressway North, Suite 100
Allen, TX 75013
214-547-2400

Amphenol Borisch Technologies

4511 East Paris AVE
Grand Rapids, MI 49512

Notice: Specifications are subject to change without notice. Contact your nearest Amphenol Corporation Sales Office for the latest specifications. All statements, information and data given herein are believed to be accurate and reliable but are presented without guarantee, warranty, or responsibility of any kind expressed or implied. Statements or suggestions concerning possible use of our products are made without representation or warranty that any such use is free of patent infringement and are not recommendations to infringe any patent. The user should not assume that all safety measures are indicated or that other measures may not be required. Specifications are typical and may not apply to all connectors.

616-554-9820

Amphenol Printed Circuits

91 Northeastern Boulevard
Nashua, NH 03062
603-324-4500

Amphenol Invotec

Unit 1-3, Hedging Lane Industrial Estate
Dosthill, Tamworth, B77 5HH United Kingdom
+44 (0) 1827 263250

Amphenol Ionix Systems

Prospect House, Taylor Business Park
Risley, Warrington, WA3 6HP United Kingdom
+44 (0) 1942 685200

Amphenol Limited

Thanet Way
Whitstable, Kent, CT5 3JF United Kingdom
+44 (0) 1227 773200

Amphenol Socapex

948 Promenade De L'Arve – BP 29
74311 Thyez France
+33 (0) 4 50 89 28 00

Amphenol Air LB SAS

2 Rue Clément Ader, Zac de Wé
08110 Carignan France
+33 (0) 03 24 22 78 49

Amphenol AirLB GmbH

Am Kleinbahnhof 4
D-66740 Saarlouis Germany
+49 (0) 68 31/98 10 0

Amphenol SEFEE

Z.I. des Cazes – BP243
12402 Saint-Affrique Cedex France
+33 (0) 5 65 98 11 00

Amphenol Interconnect India

105, Bhosari Industrial Area

Pune – 411 026 India
+91 20 27120363

Amphenol Japan, Ltd.

471-1, Deba, Ritto-City
Shiga, 520 3041 Japan
+81 77 553 8501

Amphenol Martec Limited

St. Augustines Business Park
Swalecliffe, Whitstable, Kent
CT5 2QJ United Kingdom
+44 (0) 1227 793 733

Amphenol Optimize

Carretera Internacional Km 6.5
Col. Parque Industrial
Nogales, Sonora, México. C.P. 84094
+52 (631) 311-160

Amphenol Ionix Systems OÜ

Pikk Street 59b
Kuressaare 93815 Estonia
+372 4521 780

AMAO – European Sales Operations

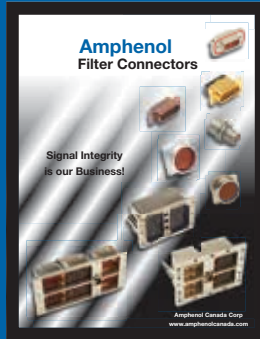
Via Barbaiana 5
20020 Lainate Milano, Italy
+39 02 932 541

Amphenol Bar-Tec Ltd.

3 Hagavish st
POB 2479 Kfar-Saba 44641
Israel
+972-9-7644100

Amphenol CANADA

MILITARY & AEROSPACE



Filter Connectors
Catalog



Rectangular Cat-
alog



Microminiature
Catalog

Visit <http://www.amphenolcanada.com/media>
for literature, product data sheets, videos and Patents



Multi-Modular
ARINC



ARINC 600 Cata-
log



ARINC 404 Cata-
log

AMPHENOL CORPORATION

605 Milner Ave, Toronto, ON M1B 5X6 • 416-291-4401
www.amphenolcanada.com